

# Air Excellent AE48C - AE55SC Horizontal Bend Adaptor Kit

Article number: 189038

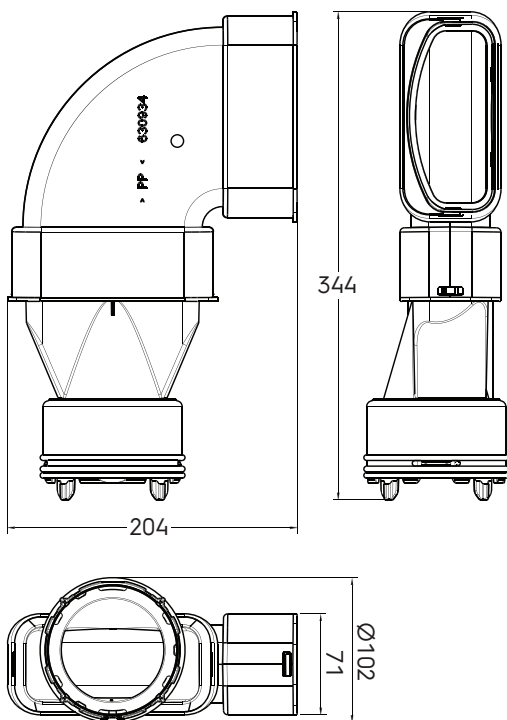
## Product introduction

The AE48C - AE55SC Horizontal Bend Adaptor Kit seamlessly connects an AE48C duct with an AE55SC duct making it possible to create a horizontal 90° bend in your system, ensuring a quick, secure and tool-free installation. Includes one AE48C Click-Seal Ring and one AE55SC Seal Ring.

- Airtight connections for reliable system performance
- Low pressure loss to reduce fan energy use
- Quick, tool-free installation
- Lightweight design for easy handling
- TÜV SÜD-certified for quality and safety



## Product dimensions



## Technical specifications

Technical	
Colour	Green
Anti static	<input checked="" type="checkbox"/>
Antimicrobial	<input checked="" type="checkbox"/>
Outer height	60 mm

# Air Excellent AE48C - AE55SC Horizontal Bend Adaptor Kit

Article number: 189038

## Technical specifications (continuation)

Technical	
Outer width	130 mm
Performance	
Temperature resistance (min.)	-20 °C
Temperature resistance (max.)	60 °C
Reaction to fire: Euro class	E
Dimensions	
Length gross	344 mm
Width	204 mm
Height	102 mm
Net weight	0.146 kg