

# Air Excellent AE48C Bend 90°

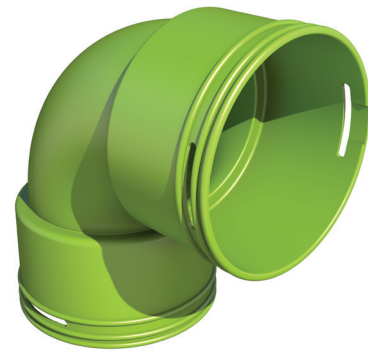
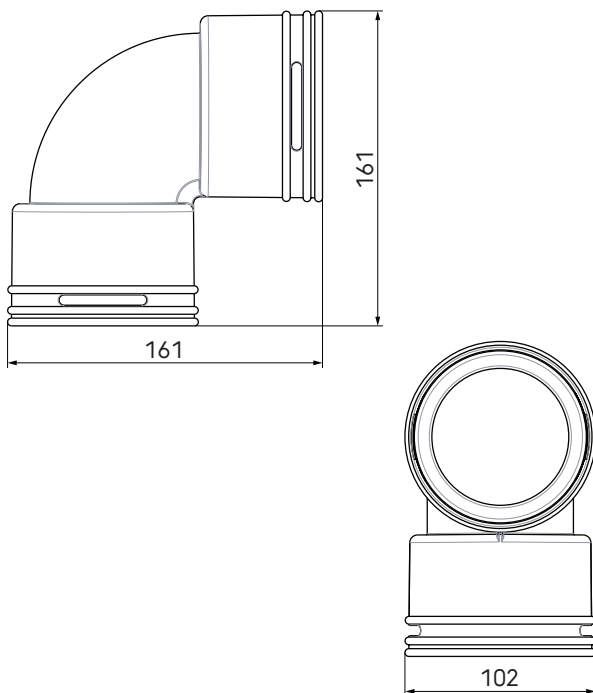
Article number: 188174

## Product introduction

An AE48C duct accessory. Use 2 AE48C seal rings and 2 AE48C click rings to connect the ducts to it.

- Modular manifolds, which can be used with all 6 duct types
- Semi-rigid plastic ducts on a roll and airtight mechanical connections, which are extremely easy to install
- Low system pressure loss due to radial design
- Airtight (class D/ATC 2 up +/- 2000 Pa) thanks to mechanical connections, which minimises fan energy use and sound production
- TÜV SÜD and ISEGA tested and certified, REACH compliant

## Product dimensions



## Performance

Airtightness Class D for Air Excellent ductwork, Air Excellent ductwork accessories and the Air Excellent plastic distribution boxes. Tested according to TÜV SÜD Standard TAK 01-2013 (system pressure: + 2000 Pa/- 2000 Pa)

# Air Excellent AE48C Bend 90°

Article number: 188174

## Technical specifications

Specifications	
Technical	
Colour	Green
Material	PP
Anti static	<input checked="" type="checkbox"/>
Antimicrobial	<input checked="" type="checkbox"/>
Diameter outer	90 mm
Performance	
Temperature resistance (min.)	-20 °C
Temperature resistance (max.)	60 °C
Reaction to fire: Euro class	E
Zeta supply 1 connection	0.9
Zeta extract 1 connection	0.9
Dimensions	
Length gross	161 mm
Width	102 mm
Height	161 mm
Net weight	0.1 kg

# Air Excellent AE48C Bend 90°

Article number: 188174

## Technical details



AE48C 90° bend

Zeta [-]	0,9	
Duct runs	1	
Qv [m³/h]	v [m/s]	Δp [Pa]
0	0,0	0,0
5	0,3	0,1
10	0,6	0,2
15	0,9	0,5
20	1,3	0,8
25	1,6	1,3
30	1,9	1,9
35	2,2	2,6
40	2,5	3,4
45	2,8	4,2
50	3,1	5,2
55	3,5	6,3
60	3,8	7,6
65	4,1	8,9
70	4,4	10,3
75	4,7	11,8
80	5,0	13,4