

AIR EXCELLENT

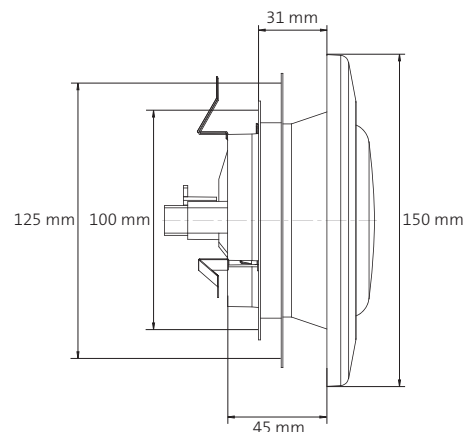
Adjustable extract valve DN125

Features & benefits

- For air extract purposes
- For installation in ceilings and walls
- For applications in wet rooms
- Easy to adjust
- Easy to remove for cleaning purposes

Adjustable extract valve DN125

For air supply and air extract in ventilation systems you need supply and extract valves. The adjustable extract valve is a plastic valve in RAL9016 white and suitable for applications in wet rooms, like kitchens, toilets and bathrooms. The valve is equipped with clamps for easy fitting in a valve adaptor.



Extract valve, DN125 (■ = recommended application range)

