

MultiVent Roof Terminal 125 980mm Black

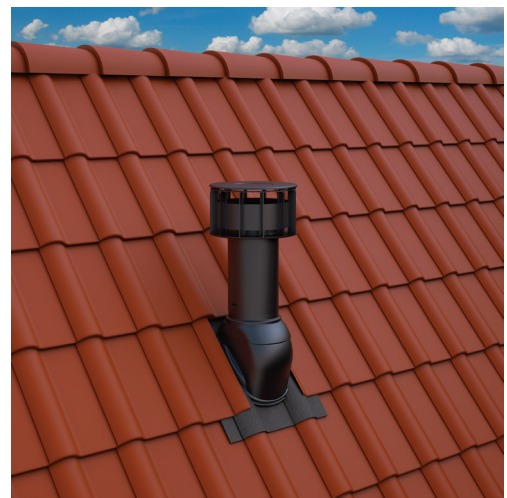
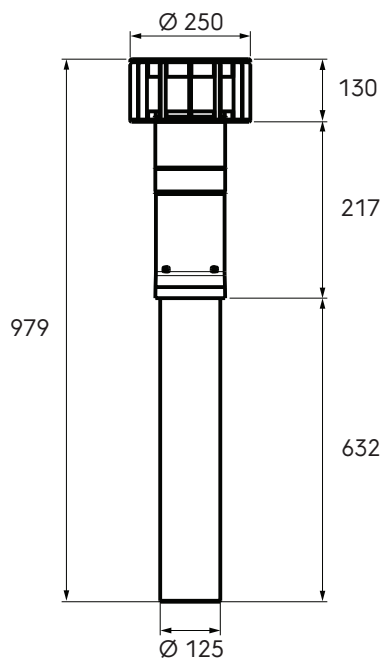
Article number: 189413

Product introduction

The MultiVent Roof Terminal 125 is a high-efficiency roof terminal designed to deliver optimal airflow in both mechanical and natural ventilation systems. Its refined aerodynamic design makes it ideal for heat-recovery units, domestic hot water heat pumps, dual-flow intake and exhaust, and tumble-dryer venting.

- Suitable for natural, hybrid, and mechanical ventilation
- Ideal for toilets, kitchens, bathrooms and laundry rooms
- Contributes to a healthy indoor climate
- Enhances living comfort and home durability
- Draught-enhancing cap for reliable extraction
- High-performance airflow

Product dimensions



Technical specifications

Technical	
Colour	Black
Diameter	125 mm

MultiVent Roof Terminal 125 980mm Black



Article number: 189413

Technical specifications (continuation)

Installation	
Roof angle (min.)	0 °
Roof angle (max.)	55 °
Dimensions	
Width	250 mm
Height	980 mm
Net weight	1.24 kg