

# Air Excellent AE34C Connector Kit

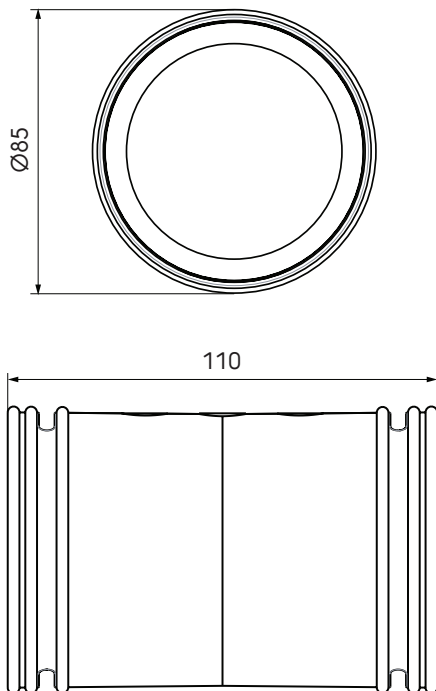
Article number: 188579

## Product introduction

An AE34C duct accessory used to connect AE34C ducts. Includes 2 AE34C seal rings and 2 AE34C click rings to connect the ducts to it.

- Modular manifolds, which can be used with all 6 duct types
- Semi-rigid plastic ducts on a roll and airtight mechanical connections, which are extremely easy to install
- Low system pressure loss due to radial design
- airtight (class ATC1 up to +/- 1000 Pa) thanks to mechanical connections, which minimises fan energy use and sound production

## Product dimensions



## Technical specifications

Technical	
Colour	Green
Anti static	<input checked="" type="checkbox"/>
Antimicrobial	<input checked="" type="checkbox"/>
Performance	
Temperature resistance (min.)	-20 °C

# Air Excellent AE34C Connector Kit

Article number: 188579

## Technical specifications (continuation)

Performance	
Temperature resistance (max.)	60 °C
Reaction to fire: Euro class	E
Zeta supply 1 connection	0
Zeta extract 1 connection	0
Dimensions	
Length gross	133 mm
Width	85.5 mm
Height	85.5 mm
Net weight	0.095 kg
Certification	
Certificates (EU)	TÜV TAK 01-2013