

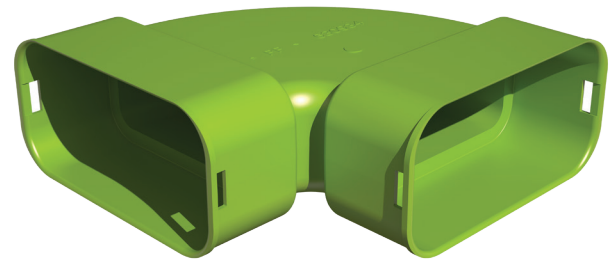
Air Excellent AE35SC Horizontal Bend 90°

Article number: 188304

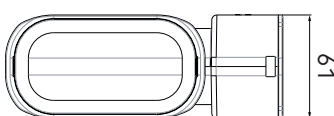
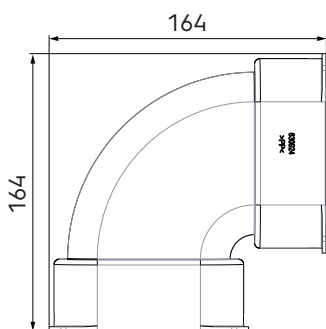
Product introduction

An AE35SC duct accessory. Use 2 AE35SC seal & click rings to connect the ducts to it.

- Modular manifolds, which can be used with all 6 duct types
- Semi-rigid plastic ducts on a roll and airtight mechanical connections, which are extremely easy to install
- Low system pressure loss due to radial design
- Airtight (class D/ATC 2 up +/- 2000 Pa) thanks to mechanical connections, which minimises fan energy use and sound production
- TÜV SÜD and ISEGA tested and certified, REACH compliant



Product dimensions



Performance

Airtightness Class D for Air Excellent ductwork, Air Excellent ductwork accessories and the Air Excellent plastic distribution boxes. Tested according to TÜV SÜD Standard TAK 01-2013 (system pressure: + 2000 Pa/- 2000 Pa)

Air Excellent AE35SC Horizontal Bend 90°

Article number: 188304

Technical specifications

Specifications	
Technical	
Colour	Green
Material	PP
Anti static	<input checked="" type="checkbox"/>
Antimicrobial	<input checked="" type="checkbox"/>
Outer height	50 mm
Outer width	100 mm
Performance	
Temperature resistance (min.)	-20 °C
Temperature resistance (max.)	60 °C
Reaction to fire: Euro class	E
Zeta supply 1 connection	0.23
Zeta extract 1 connection	0.23
Dimensions	
Length gross	164 mm
Width	164 mm
Height	61 mm
Net weight	0.11 kg

Air Excellent AE35SC Horizontal Bend 90°

Article number: 188304

Technical details



Horizontal bend		
Zeta [-]	0,23	
Duct runs	1	
Qv [m³/h]	v [m/s]	Δp [Pa]
0	0,0	0,0
5	0,5	0,0
10	0,9	0,1
15	1,4	0,3
20	1,8	0,5
25	2,3	0,7
30	2,7	1,0
35	3,2	1,4
40	3,6	1,8
45	4,1	2,3
50	4,6	2,8
55	5,0	3,4