

Air Excellent AE34C - AE34C Crossing Kit

Article number: 188990

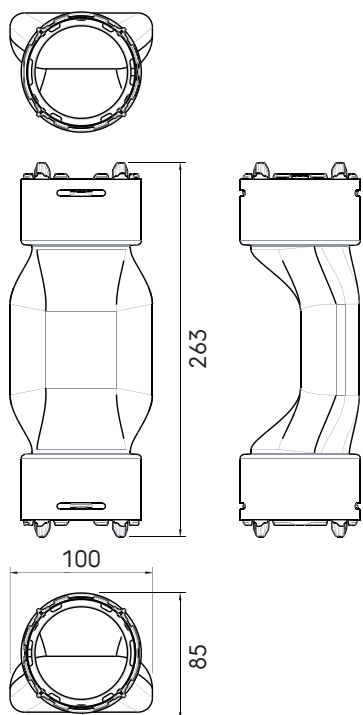
Product overview

The AE34C Crossing Kit enables two AE34C semi-rigid ducts to cross with minimal space requirements. With a height of just 50 mm, the crossing kit is designed to bypass obstacles. When a second AE34C crossover kit is placed on top of the first, the AE34C ducts can be crossed without increasing the overall height of the installation. Includes two AE34C Click-Seal Rings.

- Airtight connections for reliable system performance
- Low pressure loss to reduce fan energy use
- Quick, tool-free installation
- Lightweight design for easy handling
- TÜV SÜD-certified for quality and safety



Product dimensions



Technical specifications

Technical	
Colour	Green
Anti static	<input checked="" type="checkbox"/>
Antimicrobial	<input checked="" type="checkbox"/>

Air Excellent AE34C - AE34C Crossing Kit

Article number: 188990

Technical specifications (continuation)

Performance	
Temperature resistance (min.)	-20 °C
Temperature resistance (max.)	60 °C
Reaction to fire: Euro class	E
Zeta supply 1 connection	1.97375
Zeta extract 1 connection	1.97375
Dimensions	
Length gross	263 mm
Width	100 mm
Height	85 mm
Net weight	0.168 kg

Air Excellent AE34C - AE34C Crossing Kit

Article number: 188990

Technical details

Crossing kit		
Zeta [-]	1,97	
Qv [m ³ /h]	v [m/s]	Δp [Pa]
0	0,0	0,0
5	0,4	0,2
10	0,9	0,9
15	1,3	2,1
20	1,8	3,7
25	2,2	5,8
30	2,7	8,3
35	3,1	11,3
40	3,6	14,7
45	4,0	18,6
50	4,4	23,0
55	4,9	27,9
60	5,3	33,1