

Ventub Roof Terminal 125 1020mm Red

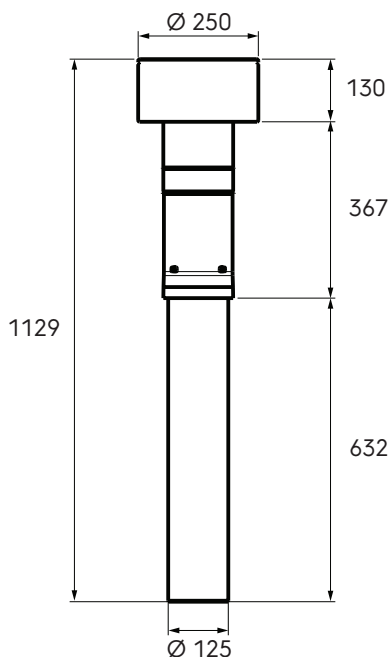
Article number: 169517

Product overview

The Ventub 125 Red is a reliable, versatile roof terminal for everyday ventilation. Suitable for both mechanical and natural systems, it supports heat-recovery units, domestic hot water heat pumps, and tumble dryers requiring roof-level air supply or discharge.

- Suitable for natural, hybrid, and mechanical ventilation
- Low pressure loss due to smooth inner surface
- Airtight, mechanical connection (no tape required)
- Lightweight material
- Applicable in systems that can handle higher resistance

Product dimensions



Technical specifications

Technical	
Colour	Red
Diameter	125 mm
Installation	
Roof angle (min.)	0 °
Roof angle (max.)	55 °

Ventub Roof Terminal 125 1020mm Red

Article number: 169517

Technical specifications (continuation)

Dimensions	
Length gross	1020 mm
Width	207 mm
Height	207 mm
Net weight	1.026 kg