

# Air Excellent AE45SC Vertical Bend 90°

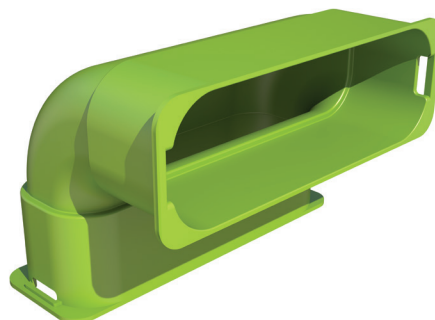
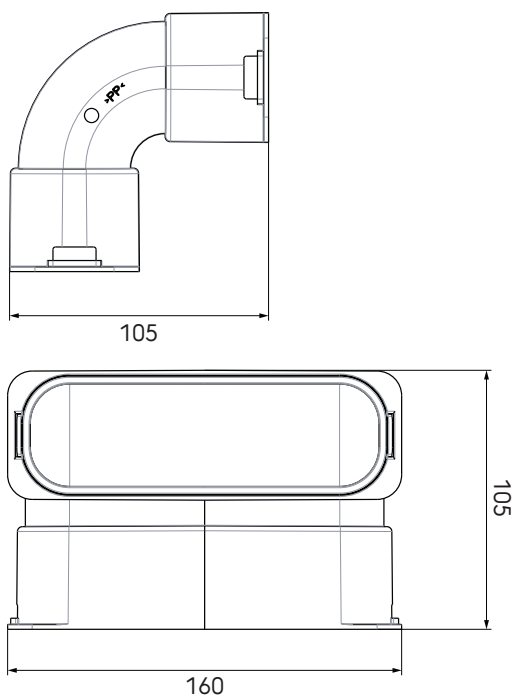
Article number: 188558

## Product introduction

An AE45SC duct accessory. Use 2 AE45SC seal & click rings to connect the ducts to it.

- Modular manifolds, which can be used with all 6 duct types
- Semi-rigid plastic ducts on a roll and airtight mechanical connections, which are extremely easy to install
- Low system pressure loss due to radial design
- Airtight (class D/ATC 2 up +/- 2000 Pa) thanks to mechanical connections, which minimises fan energy use and sound production
- TÜV SÜD and ISEGA tested and certified, REACH compliant

## Product dimensions



## Performance

Airtightness Class C for Air Excellent ductwork, Air Excellent ductwork accessories and the Air Excellent plastic distribution boxes. Tested according to TÜV SÜD Standard TAK 01-2013 (system pressure: + 2000 Pa/- 2000 Pa)

# Air Excellent AE45SC Vertical Bend 90°

Article number: 188558

## Technical specifications

Specifications	
Technical	
Colour	Green
Material	PP
Anti static	<input checked="" type="checkbox"/>
Antimicrobial	<input checked="" type="checkbox"/>
Outer height	50 mm
Outer width	140 mm
Performance	
Temperature resistance (min.)	-20 °C
Temperature resistance (max.)	60 °C
Reaction to fire: Euro class	E
Zeta supply	0.43
Zeta extract	0.43
Dimensions	
Length gross	105 mm
Width	160 mm
Height	105 mm
Net weight	0.11 kg

# Air Excellent AE45SC Vertical Bend 90°

Article number: 188558

## Technical details



vertical bend		
Zeta [-]	0,43	
Duct runs	1	
Qv [m³/h]	v [m/s]	Δp [Pa]
0	0,0	0,0
5	0,3	0,0
10	0,6	0,1
15	1,0	0,2
20	1,3	0,4
25	1,6	0,6
30	1,9	0,9
35	2,2	1,3
40	2,5	1,6
45	2,9	2,1
50	3,2	2,6
55	3,5	3,1
60	3,8	3,7
65	4,1	4,3
70	4,4	5,0
75	4,8	5,8
80	5,1	6,6