

# Air Excellent AE35SC Vertical Bend 90° Kit

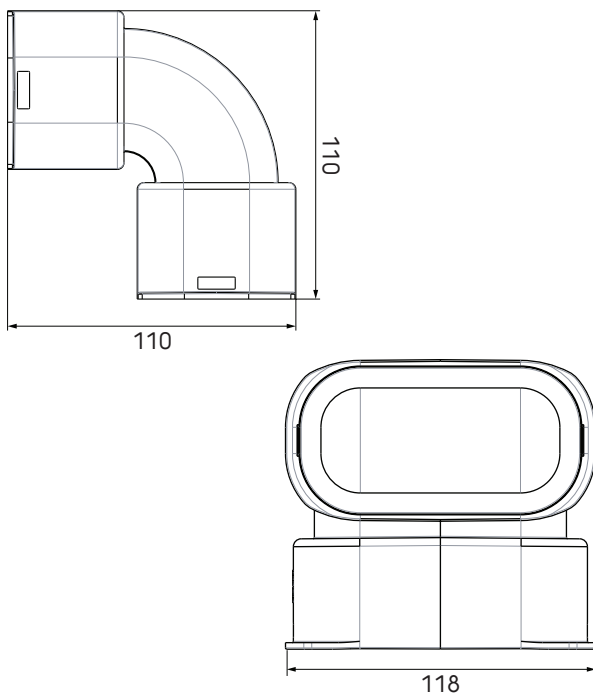
Article number: 188573

## Product introduction

An AE35SC duct accessory. Includes 2 AE35SC seal & click rings to connect the ducts to it.

- Modular manifolds, which can be used with all 6 duct types
- Semi-rigid plastic ducts on a roll and airtight mechanical connections, which are extremely easy to install
- Low system pressure loss due to radial design
- Airtight (class D/ATC 2 up +/- 2000 Pa) thanks to mechanical connections, which minimises fan energy use and sound production

## Product dimensions



## Performance

Airtightness Class D for Air Excellent ductwork, Air Excellent ductwork accessories and the Air Excellent plastic distribution boxes.

# Air Excellent AE35SC Vertical Bend 90° Kit

Article number: 188573

## Technical specifications

Specifications	
Technical	
Colour	Green
Material	PP
Anti static	<input checked="" type="checkbox"/>
Antimicrobial	<input checked="" type="checkbox"/>
Outer height	50 mm
Outer width	100 mm
Performance	
Temperature resistance (min.)	-20 °C
Temperature resistance (max.)	60 °C
Reaction to fire: Euro class	E
Zeta supply	0.55
Zeta extract	0.55
Dimensions	
Length gross	110 mm
Width	118 mm
Height	110 mm
Net weight	0.15 kg

# Air Excellent AE35SC Vertical Bend 90° Kit

Article number: 188573

## Technical details



Vertical bend		
Zeta [-]	0,55	
Duct runs	1	
Qv [m³/h]	v [m/s]	Δp [Pa]
0	0,0	0,0
5	0,5	0,1
10	0,9	0,3
15	1,4	0,6
20	1,8	1,1
25	2,3	1,7
30	2,7	2,4
35	3,2	3,3
40	3,6	4,3
45	4,1	5,5
50	4,6	6,8
55	5,0	8,2