

ELECTRICAL HEATING ELEMENT

Accessory for Caelio series domestic hot water cylinders

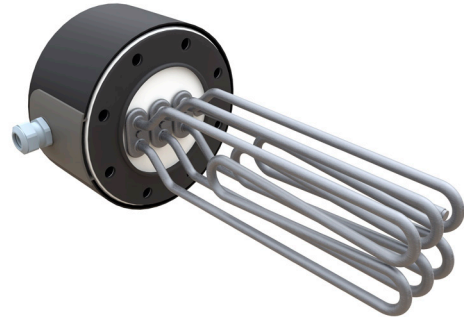


Introduction

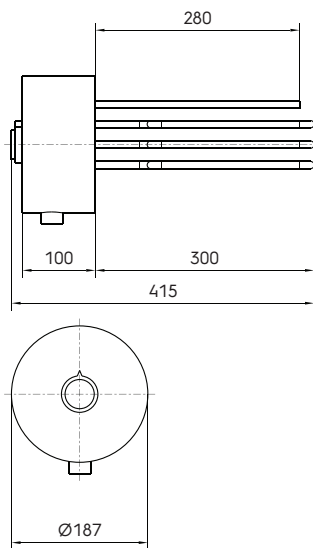
The Electrical Heating Element accessory enables the Caelio domestic hot water cylinder to be heated by electrical power in addition to the built in heat exchanger coil.

Features & benefits

- Support in times of peak hot water demands.
- Shortens the time to fully load the cylinder with hot water.
- Enables to use self-produced electrical power, e.g. from solar panels.
- Maintenance free.
- Temperature output adjustable from 10 - 80°C, safety temperature limiter at 110°C.
- Easy to install to the inspection flange of the water cylinder.
- Specially designed to use with the sleek and space efficient design of the Caelio series cylinders.



Product dimensions



Technical data

Article number	Power output (kW)	Power supply (V)	Max. temperature (C)	Flange diameter (mm)	Pressure rating (bar)
957010	2	1 x 230	80	180	10
957011	3	1 x 230	80	180	10
957012	4	3 x 400	80	180	10

