

Air Excellent AE48C Seal Ring (10 Pieces)

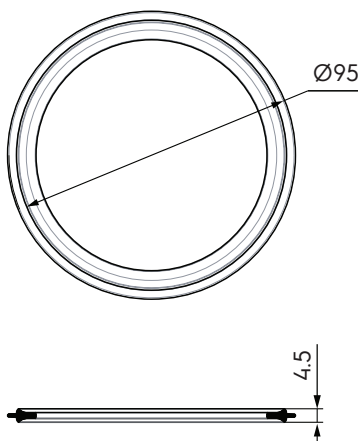
Article number: 188366

Product introduction

An AE48C duct accessory used to make airtight mechanical connections without tape or sealant. Must be used with an AE48C click ring.

- Modular manifolds, which can be used with all 6 duct types
- Semi-rigid plastic ducts on a roll and airtight mechanical connections, which are extremely easy to install
- Low system pressure loss due to radial design
- Airtight (class D/ATC 2 up +/- 2000 Pa) thanks to mechanical connections, which minimises fan energy use and sound production
- TÜV SÜD and ISEGA tested and certified, REACH compliant

Product dimensions



Performance

Airtightness Class D for Air Excellent ductwork, Air Excellent ductwork accessories and the Air Excellent plastic distribution boxes. Tested according to TÜV SÜD Standard TAK 01-2013 (system pressure: + 2000 Pa/- 2000 Pa)

Air Excellent AE48C Seal Ring (10 Pieces)

Article number: 188366



Technical specifications

Specifications	
Technical	
Colour	Black
Material	EPDM
Dimensions	
Length gross	96 mm
Width	96 mm
Height	5 mm
Net weight	0.06 kg