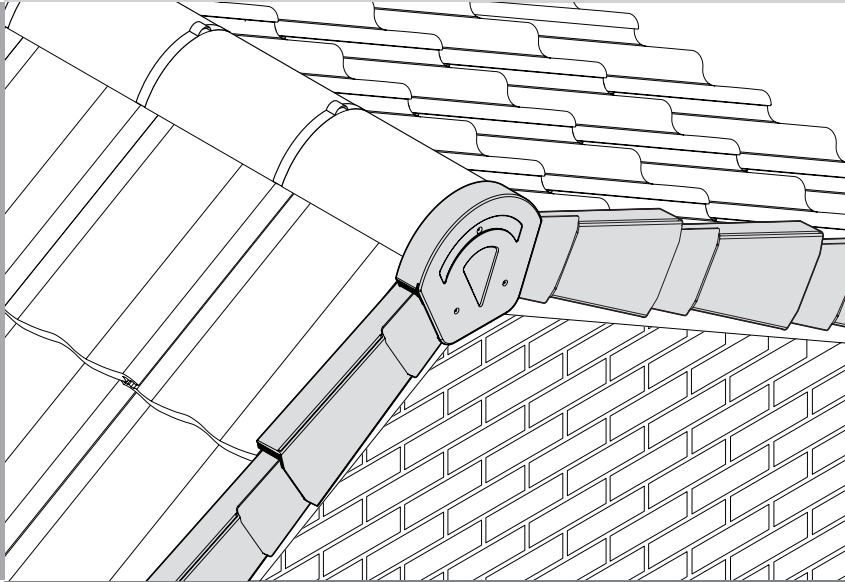




ubink

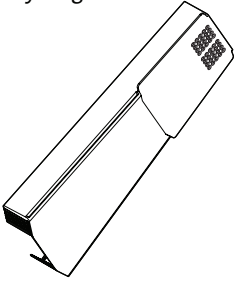
DRY VERGE SYSTEM




➤ Installation instructions

Always work according to health & safety regulations.

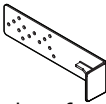
Dry verge set



= number of verge tiles

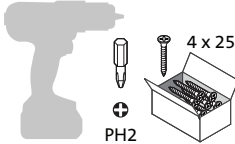


2x




number of verge tiles +1 (alt + 3)*

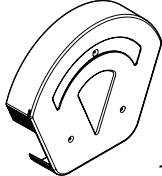
Tools required



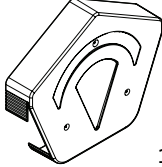
PH2 4 x 25



or

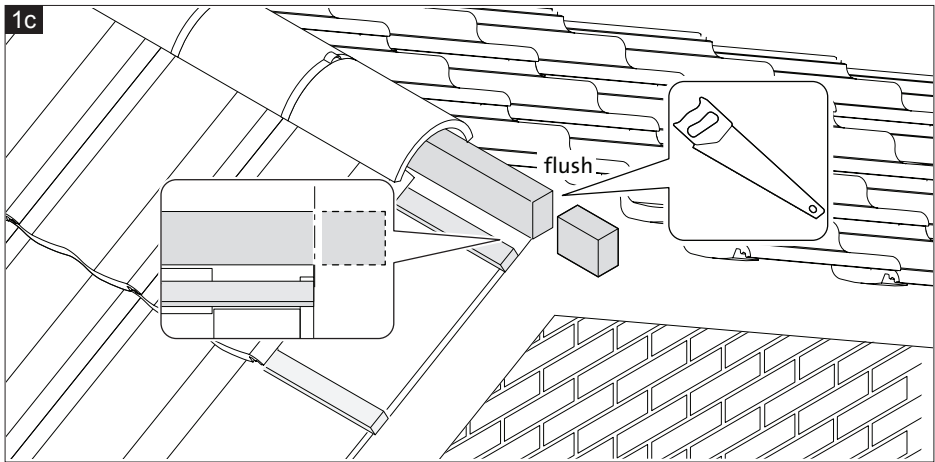
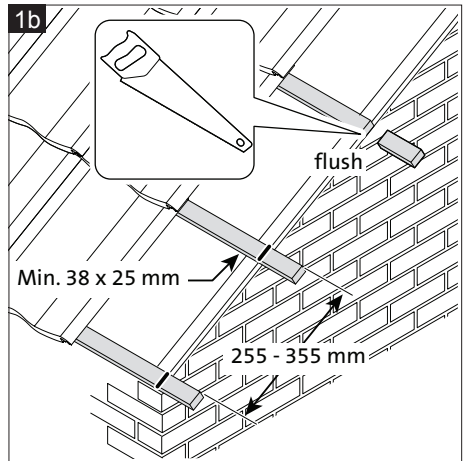
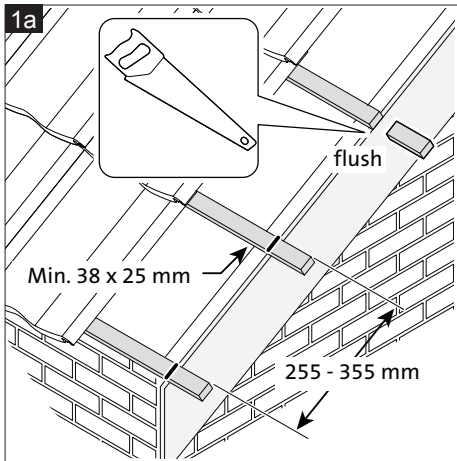


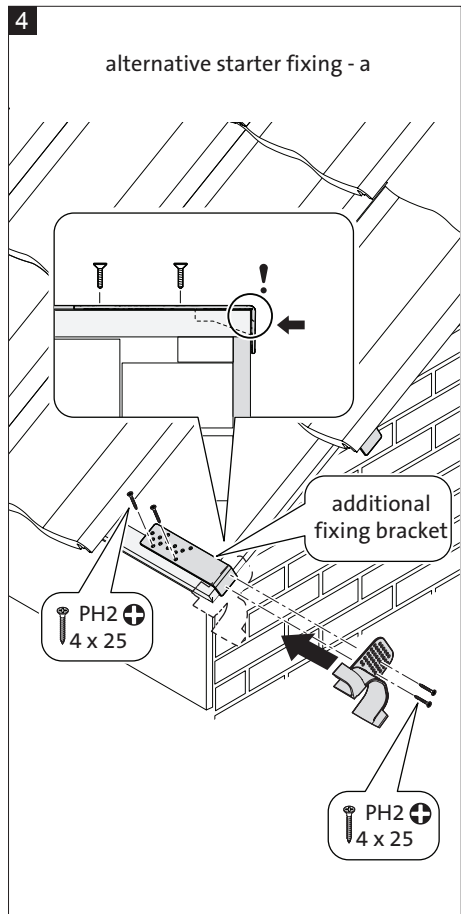
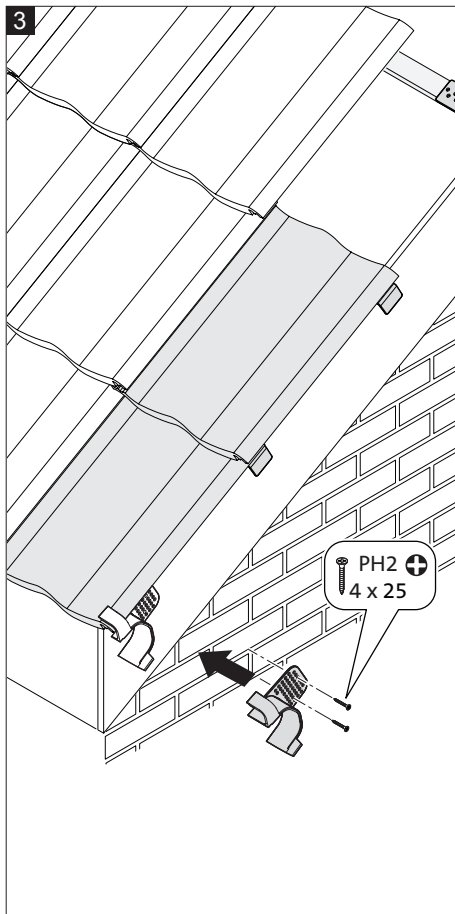
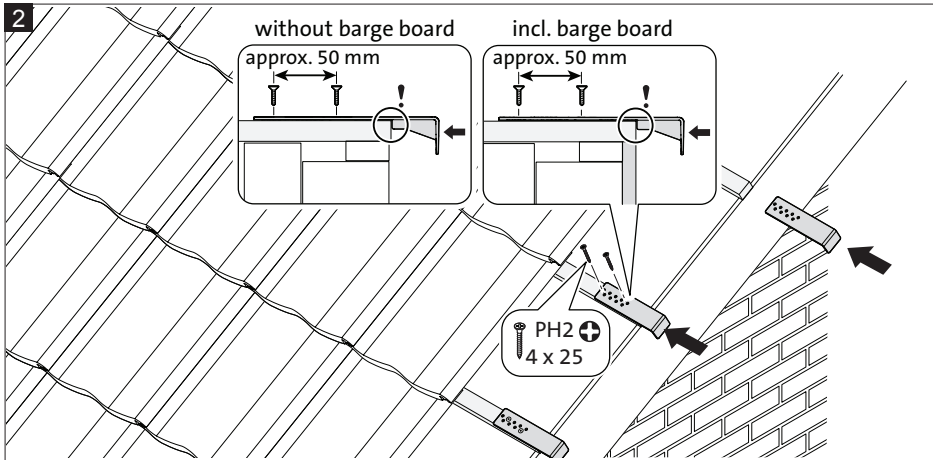
1x



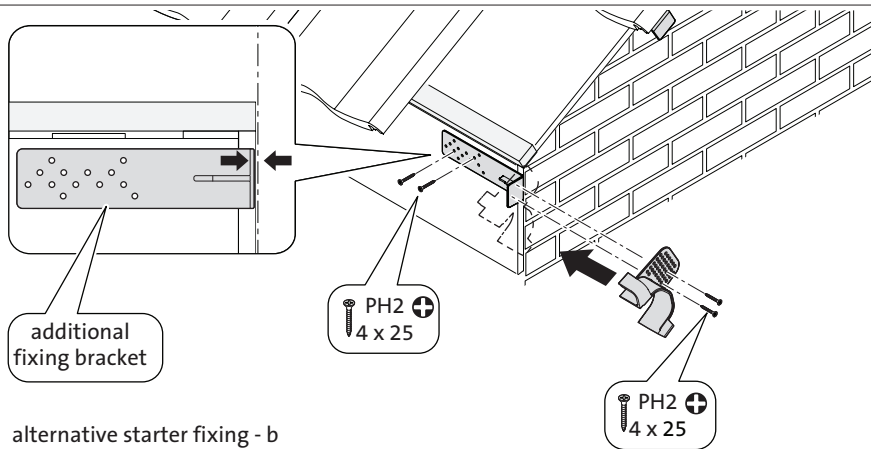
1x

* In case of alternative starter fixing

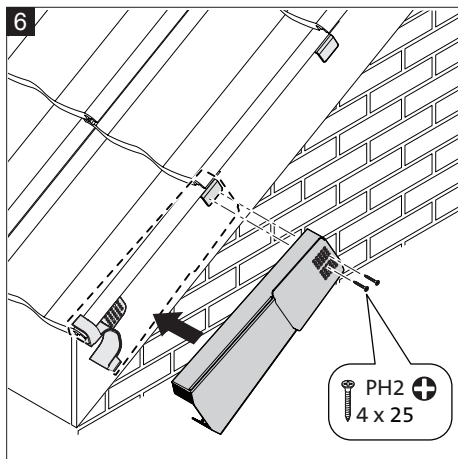




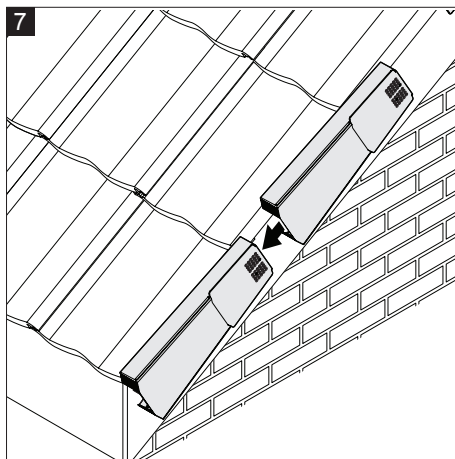
5



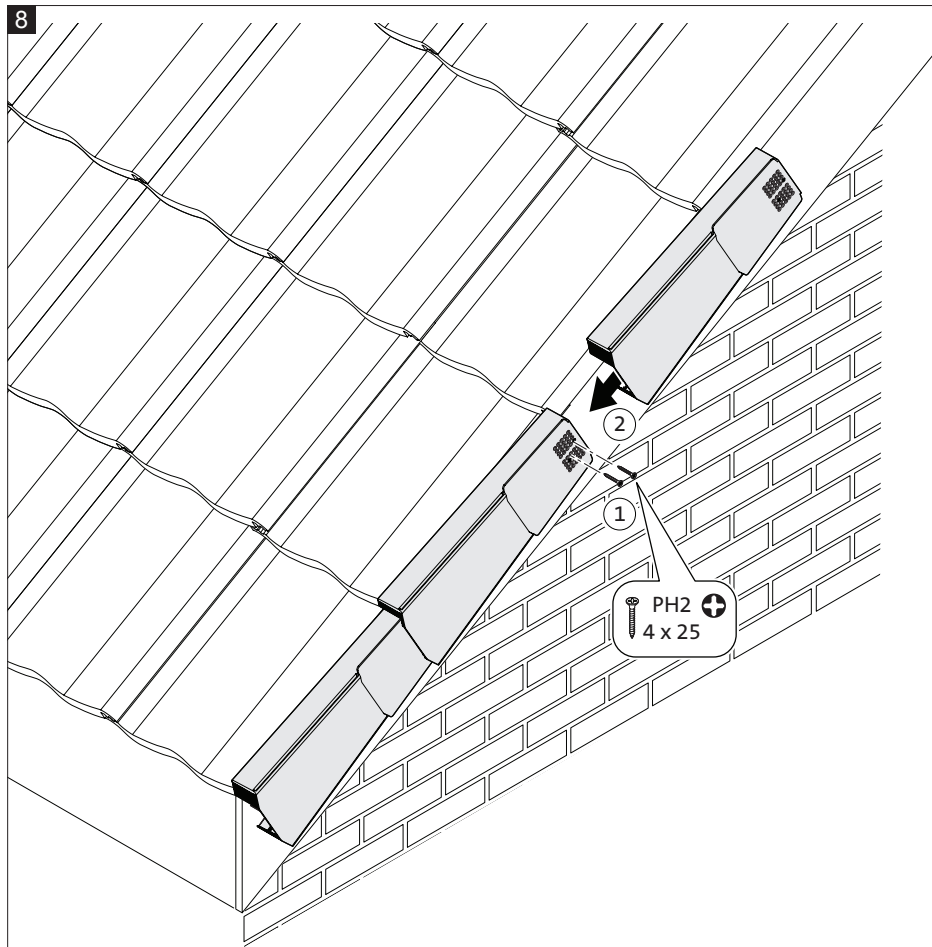
6



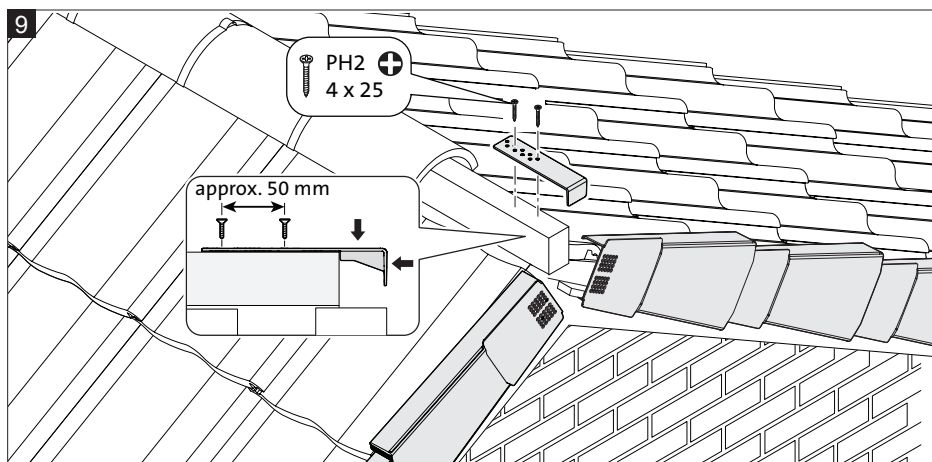
7



8

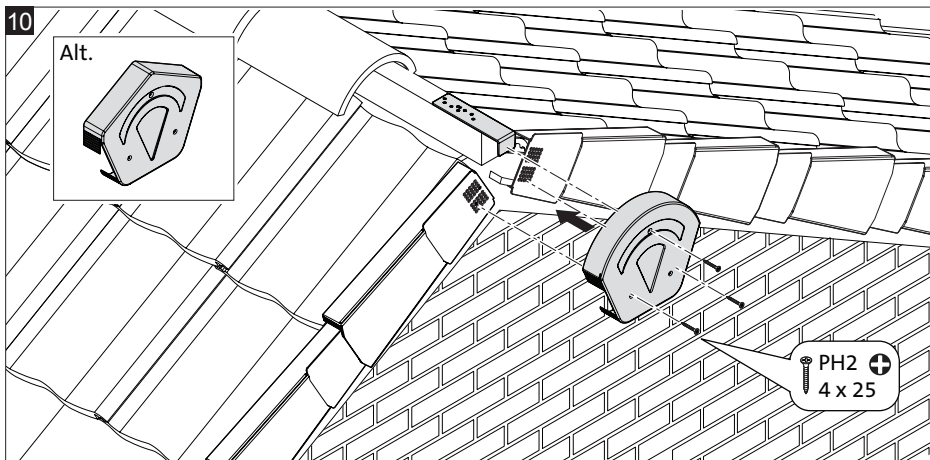


9



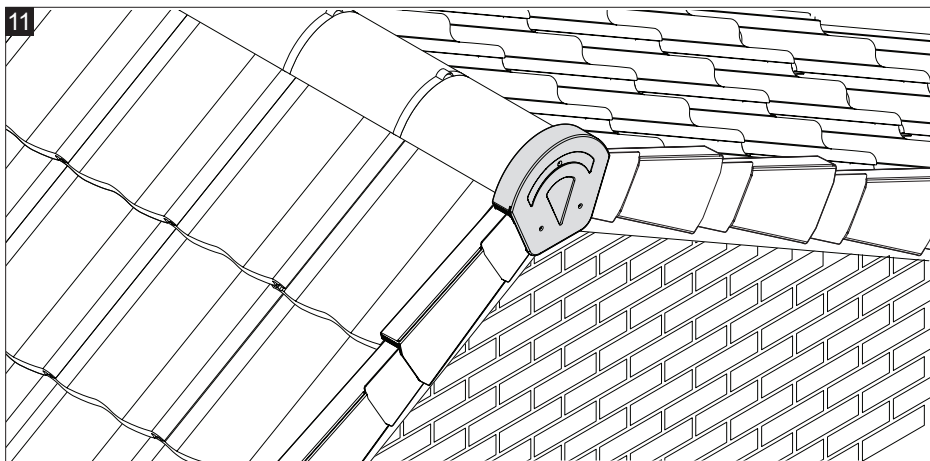
10

Alt.



PH2 4 x 25

11





The Netherlands

Ubbink bv
Verhuellweg 9
NL - 6980 AA Doesburg
Tel. +31 (0) 313 480 300
Fax +31 (0) 313 473 859
info@ubbink.nl

UK

Ubbink UK Ltd
Unit 2 Redbourne Park
Liliput Road
Brackmills Industrial Estate
Northampton
NN4 7DT
Tel. +44 (0) 1604 433 000
Fax +44 (0) 1604 433 001
info@ubbink.co.uk

France

Ubbink France S.A.S.
13, rue de Bretagne – Z.A. Malabry – BP4301
F - 44243 La Chapelle Sur Erdre Cedex
Tel. +33 (0) 251 134 646
Fax +33 (0) 251 134 546
ubbink@ubbink.fr

Belgium

Ubbink nv
Jan Samijnstraat 9
B - 9050 Gentbrugge
Tel. +32 (0) 923 711 00
Fax +32 (0) 923 711 29
info.bouw@ubbink.be