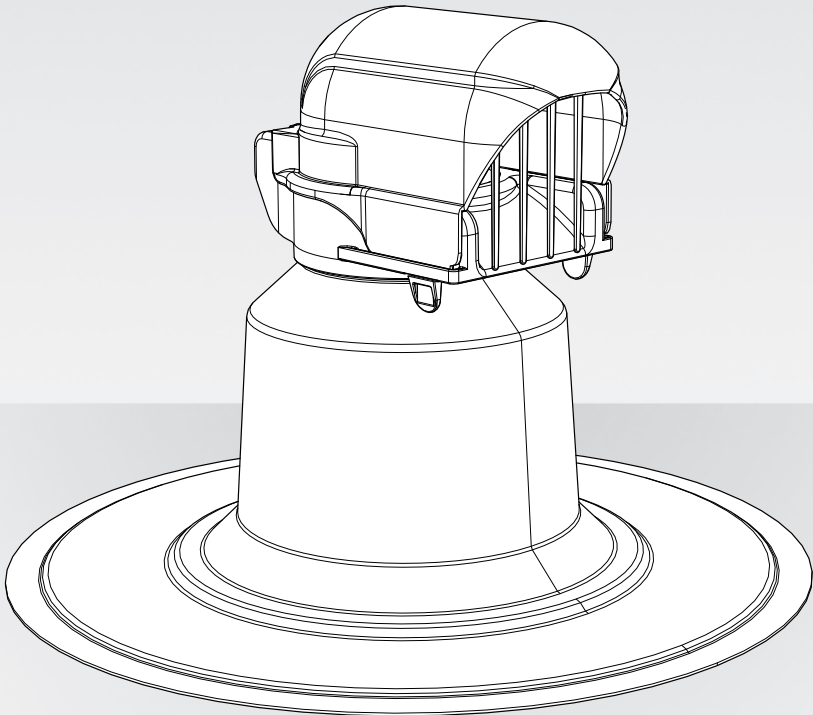
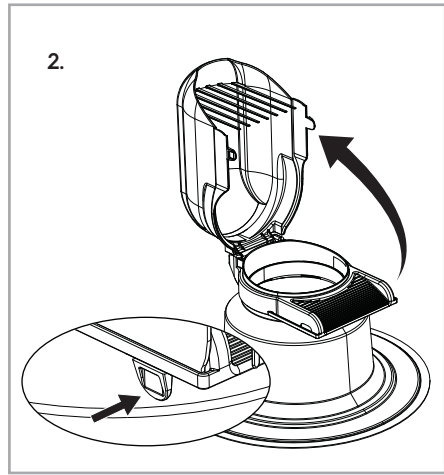
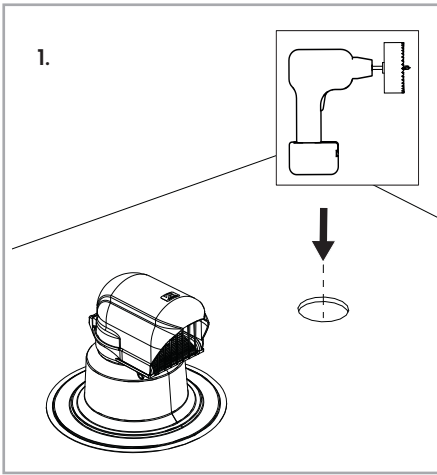


FLAT ROOF CABLE THROUGHPUT

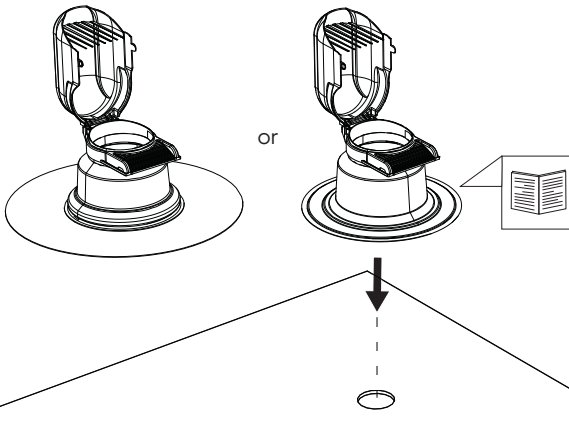


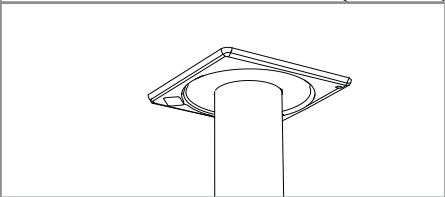
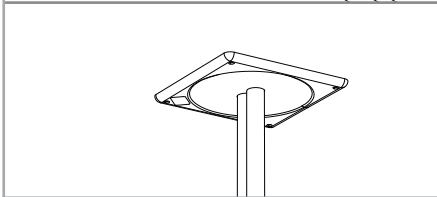
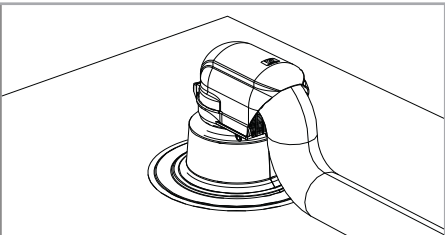
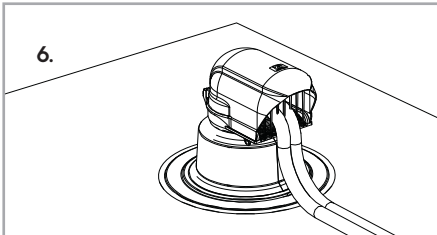
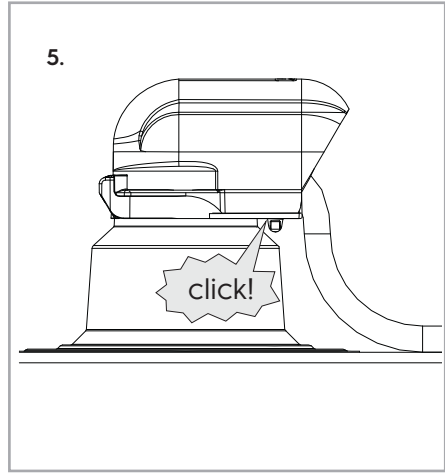
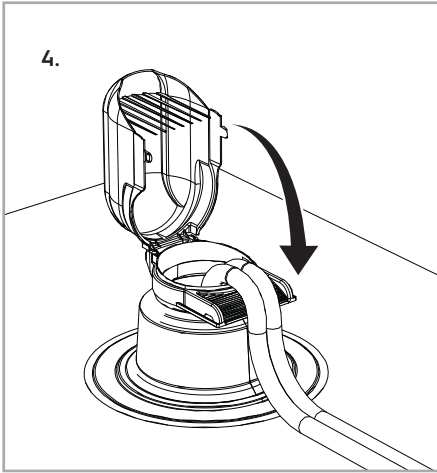
Installation manual
Installatie handleiding
Manuel d'instructions
Installationsanleitung
Manuale di installazione





- 3.
- EN Finishing and installation of the flange plate in consultation with the roofing and insulation manufacturer.
 - NL Afwerking en plaatsing van de plakplaat in overleg met dakbedekking- en isolatiefabrikant.
 - FR Finition et installation du solin ALU toit plat en concertation avec la fabricant de toiture et d'isolation.
 - DE Fertigstellung und Montage des Anschweißflanches in Absprache mit dem Dach- und Isolationshersteller.
 - IT Finitura e installazione della piastra flangiata in consultazione con il produttore di coperture e coibentazioni.





EN > Airtight seals not included.

NL > Luchtdichte afdichtingen niet inbegrepen.

FR > Joints étanches non inclus.

DE > Luchtdichte Dichtungen nicht enthalten

IT > Rosoni a tenuta non inclusi.



ENERGY



VENTILATION



BUILDING

Nederland • 📞 +31 313 480-300 • @ productadvieslijn@ubbink.nl

France • 📞 +33 (0)2 51 13 46 46 • @ ubbink@ubbink.fr

Belgium • 📞 +32 9 237 11 00 • @ info.bouw@ubbink.be

United Kingdom • 📞 +44 1604 433-000 • @ info@ubbink.co.uk

Deutschland • 📞 +49 2301 91011-0 • @ info@ubbink.de

Italia • 📞 +39 045 602 0433 • @ info@ubbink.it



Ubbink International

@ info@ubbink.com • 🌐 www.ubbink.com