

Air Excellent AE34C Bend 90° Kit

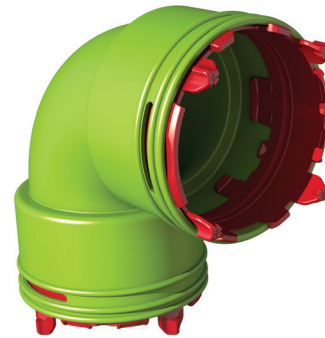
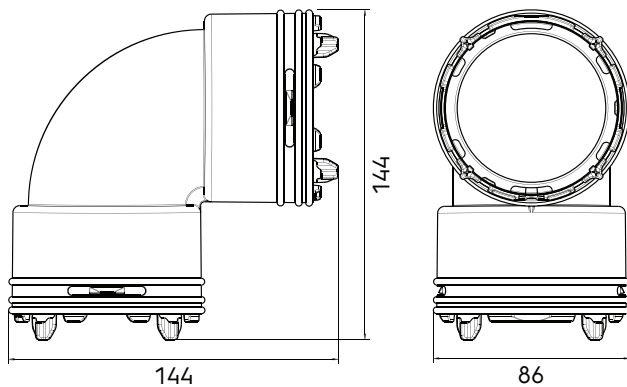
Article number: 188994

Product overview

The AE34C Bend Kit 90° seamlessly connects two AE34C ducts, making it possible to create a 90° bend in your system, ensuring a quick, secure and tool-free installation. Includes two AE34C Click-Seal Rings.

- Airtight connections for reliable system performance
- Low pressure loss to reduce fan energy use
- Quick, tool-free installation
- Lightweight design for easy handling
- TÜV SÜD-certified for quality and safety

Product dimensions



Kit contents

to be defined

Technical specifications

Technical	
Colour	Green
Anti static	<input checked="" type="checkbox"/>
Antimicrobial	<input checked="" type="checkbox"/>
Diameter outer	75 mm

Air Excellent AE34C Bend 90° Kit

Article number: 188994

Technical specifications (continuation)

Performance	
Temperature resistance (min.)	-20 °C
Temperature resistance (max.)	60 °C
Reaction to fire: Euro class	E
Zeta supply 1 connection	1
Zeta extract 1 connection	1
Dimensions	
Length gross	144 mm
Width	144 mm
Height	86 mm
Net weight	0.092 kg

Air Excellent AE34C Bend 90° Kit

Article number: 188994

Technical details



AE34C 90° bend

Zeta [-]	1	
Duct runs	1	
Qv [m³/h]	v [m/s]	Δp [Pa]
0	0,0	0,0
5	0,4	0,1
10	0,9	0,5
15	1,3	1,1
20	1,8	1,9
25	2,2	2,9
30	2,7	4,2
35	3,1	5,7
40	3,6	7,5
45	4,0	9,5
50	4,5	11,7
55	4,9	14,2
60	5,3	16,9