

# Aerfoam 200 Bend 90°



ubbink

Build smart.

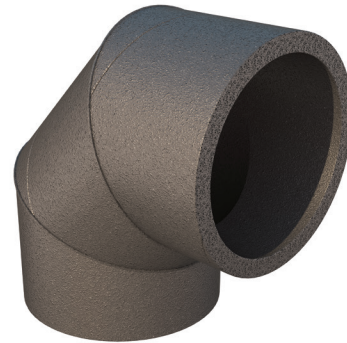
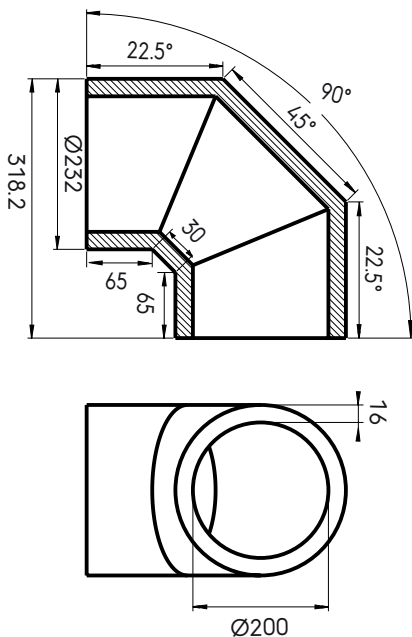
Article number: 188227

## Product overview

The Aerfoam 200 mm 90° bend allows directional changes within the Aerfoam system. Made of expanded polyethylene (EPE) duct, it minimises the risk of condensation and energy loss. It is very light and extremely easy and safe to install. All Aerfoam parts connect to each other using strong, airtight mechanical connections. They can also be securely mounted to walls or ceilings using brackets. Aerfoam is ideal for both central mechanical ventilation and domestic hot water heat pump systems.

- Insulated to minimise the risk of condensation and energy loss.
- Easy mechanical connection and mounting.
- Lightweight and easy to cut, ensuring quick installation.
- Impact resistant.

## Product dimensions



# Aerfoam 200 Bend 90°

Article number: 188227

## Technical specifications

Technical	
Colour	Grey
Insulated	<input checked="" type="checkbox"/>
Diameter inner	200 mm
Diameter outer	232 mm
Insulation thickness	16 mm
Performance	
Insulation performance	0.041 W/m.K
Temperature resistance (min.)	-30 °C
Temperature resistance (max.)	60 °C
Installation temperature (min.)	-30 °C
Installation temperature (max.)	60 °C
Zeta supply 1 connection	0.578
Zeta extract 1 connection	0.578
Dimensions	
Length gross	318 mm
Width	232 mm
Height	318 mm
Net weight	0.09 kg

# Aerfoam 200 Bend 90°

Article number: 188227

## Technical details

DN200 90° Bend		
Zeta [-]	0,52	
Qv [m³/h]	Δp [Pa]	V [m/s]
50	0,06	0,44
100	0,24	0,88
150	0,55	1,33
200	0,98	1,77
250	1,52	2,21
300	2,2	2,65
350	2,99	3,09
400	3,9	3,54
450	4,94	3,98
500	6,1	4,42
550	7,38	4,86
600	8,78	5,31
650	10,31	5,75
700	11,95	6,19
750	13,72	6,63
800	15,61	7,07
850	17,62	7,52
900	19,76	7,96