

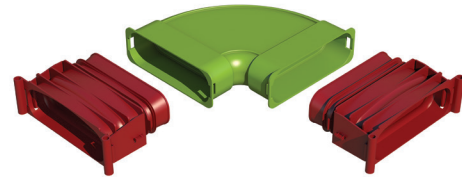
Air Excellent AE45SC Horizontal Bend 90° Kit

Article number: 188544

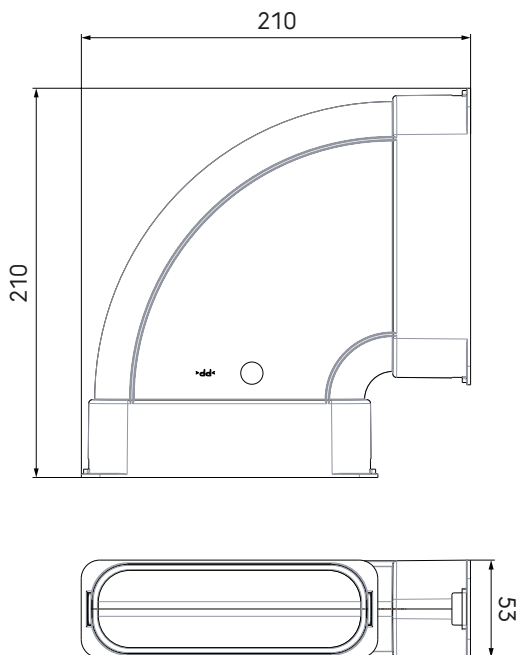
Product introduction

An AE45SC duct accessory. Includes 2 AE45SC seal & click rings to connect the ducts to it.

- Modular manifolds, which can be used with all 6 duct types
- Semi-rigid plastic ducts on a roll and airtight mechanical connections, which are extremely easy to install
- Low system pressure loss due to radial design
- Airtight (class D/ATC 2 up +/- 2000 Pa) thanks to mechanical connections, which minimises fan energy use and sound production



Product dimensions



Performance

Airtightness Class C for Air Excellent ductwork, Air Excellent ductwork accessories and the Air Excellent plastic distribution boxes.

Air Excellent AE45SC Horizontal Bend 90° Kit

Article number: 188544

Technical specifications

Specifications	
Technical	
Colour	Green
Material	PP
Anti static	<input checked="" type="checkbox"/>
Antimicrobial	<input checked="" type="checkbox"/>
Outer height	50 mm
Outer width	140 mm
Performance	
Temperature resistance (min.)	-20 °C
Temperature resistance (max.)	60 °C
Reaction to fire: Euro class	E
Zeta supply 1 connection	0.54
Zeta extract 1 connection	0.54
Dimensions	
Length gross	210 mm
Width	210 mm
Height	53 mm
Net weight	0.355 kg

Air Excellent AE45SC Horizontal Bend 90° Kit

Article number: 188544

Technical details



horizontal bend		
Zeta [-]	0,54	
Duct runs	1	
Qv [m³/h]	v [m/s]	Δp [Pa]
0	0,0	0,0
5	0,3	0,0
10	0,6	0,1
15	1,0	0,3
20	1,3	0,5
25	1,6	0,8
30	1,9	1,2
35	2,2	1,6
40	2,5	2,1
45	2,9	2,6
50	3,2	3,2
55	3,5	3,9
60	3,8	4,6
65	4,1	5,4
70	4,4	6,3
75	4,8	7,2
80	5,1	8,2