

Air Excellent AE48C Bend 90° Kit



ubbink

Build smart.

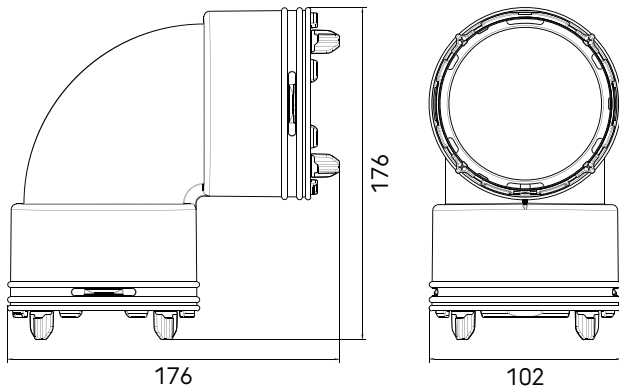
Article number: 189034

Product overview

The AE48C Bend Kit 90° seamlessly connects two AE48C ducts, making it possible to create a 90° bend in your system, ensuring a quick, secure and tool-free installation. Includes two AE48C Click-Seal Rings.

- Airtight connections for reliable system performance
- Low pressure loss to reduce fan energy use
- Quick, tool-free installation
- Lightweight design for easy handling
- TÜV SÜD-certified for quality and safety

Product dimensions



Kit contents

To be defined

Technical specifications

Technical	
Colour	Green
Anti static	<input checked="" type="checkbox"/>
Antimicrobial	<input checked="" type="checkbox"/>
Diameter outer	90 mm

Air Excellent AE48C Bend 90° Kit



ubbink

Build smart.

Article number: 189034

Technical specifications (continuation)

Performance	
Temperature resistance (min.)	-20 °C
Temperature resistance (max.)	60 °C
Reaction to fire: Euro class	E
Zeta supply 1 connection	0.9
Zeta extract 1 connection	0.9
Dimensions	
Length gross	176 mm
Width	176 mm
Height	102 mm
Net weight	0.135 kg

Air Excellent AE48C Bend 90° Kit

Article number: 189034

Technical details



AE48C 90° bend

Zeta [-]	0,9	
Duct runs	1	
Qv [m³/h]	v [m/s]	Δp [Pa]
0	0,0	0,0
5	0,3	0,1
10	0,6	0,2
15	0,9	0,5
20	1,3	0,8
25	1,6	1,3
30	1,9	1,9
35	2,2	2,6
40	2,5	3,4
45	2,8	4,2
50	3,1	5,2
55	3,5	6,3
60	3,8	7,6
65	4,1	8,9
70	4,4	10,3
75	4,7	11,8
80	5,0	13,4