

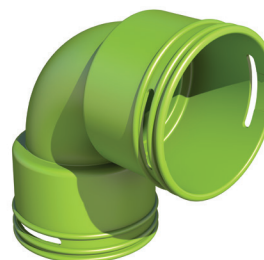
# Air Excellent AE23C Bend 90°

Article number: 188172

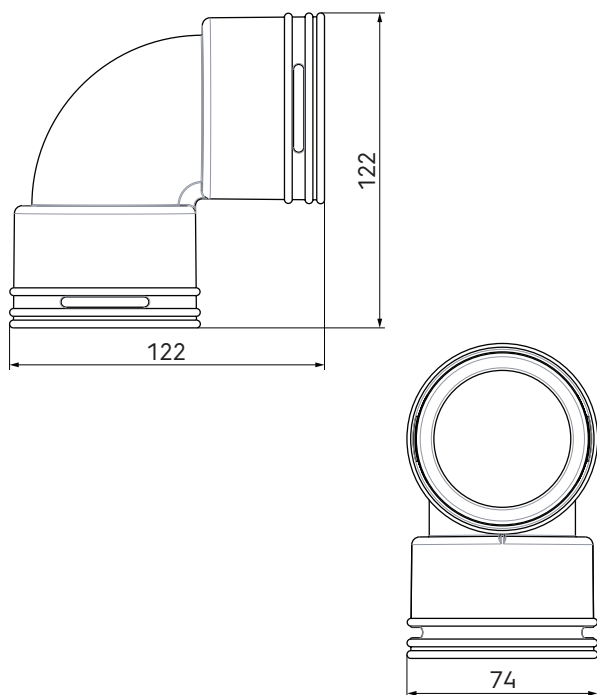
## Product introduction

An AE23C duct accessory. Use 2 AE23C seal rings and 2 AE23C click rings to connect the ducts to it.

- Modular manifolds, which can be used with all 6 duct types
- Semi-rigid plastic ducts on a roll and airtight mechanical connections, which are extremely easy to install
- Low system pressure loss due to radial design
- Airtight (class D/ATC 2 up +/- 2000 Pa) thanks to mechanical connections, which minimises fan energy use and sound production
- TÜV SÜD and ISEGA tested and certified, REACH compliant



## Product dimensions



## Technical specifications

Specifications	
Technical	
Colour	Green
Material	PP
Insulated	<input type="checkbox"/>
Anti static	<input checked="" type="checkbox"/>

# Air Excellent AE23C Bend 90°

Article number: 188172

## Technical specifications (continuation)

Technical	
Antimicrobial	<input checked="" type="checkbox"/>
Diameter outer	63 mm
Performance	
Temperature resistance (min.)	-20 °C
Temperature resistance (max.)	60 °C
Reaction to fire: Euro class	E
Zeta supply	1.15
Zeta extract	1.15
Dimensions	
Length gross	122 mm
Width	122 mm
Height	74 mm
Net weight	0.04 kg

# Air Excellent AE23C Bend 90°

Article number: 188172

## Technical details



AE23C 90° bend		
Zeta [-]	1,15	
Duct runs	1	
Qv [m³/h]	v [m/s]	Δp [Pa]
0	0,0	0,0
5	0,7	0,3
10	1,3	1,2
15	2,0	2,6
20	2,6	4,6
25	3,3	7,3
30	3,9	10,5
35	4,6	14,2
40	5,2	18,6