

# Air Excellent DBOX 206 Inline DN100

Article number: 188641

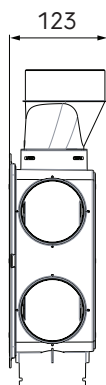
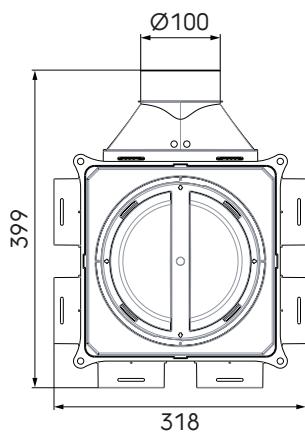
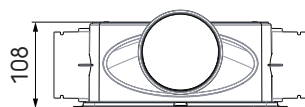
## Product introduction

Air Excellent distribution box to which all Air Excellent duct types can be connected.

- Modular manifolds, which can be used with all 6 duct types
- Semi-rigid plastic ducts on a roll and airtight mechanical connections, which are extremely easy to install
- Low system pressure loss due to radial design
- Airtight (class D/ATC 2 up +/- 2000 Pa) thanks to mechanical connections, which minimises fan energy use and sound production
- TÜV SÜD and ISEGA tested and certified, REACH compliant



## Product dimensions



## Technical specifications

Specifications	
Technical	
Colour	Grey
Material	PP
Anti static	<input checked="" type="checkbox"/>
Antimicrobial	<input checked="" type="checkbox"/>

# Air Excellent DBOX 206 Inline DN100

Article number: 188641

## Technical specifications (continuation)

Performance	
Temperature resistance (min.)	-20 °C
Temperature resistance (max.)	60 °C
Reaction to fire: Euro class	E
Dimensions	
Length gross	399 mm
Width	318 mm
Height	123 mm
Net weight	0.86 kg

# Air Excellent DBOX 206 Inline DN100

Article number: 188641

## Technical details

Pressure Loss Dbox	
Qv (Volume) [m³/h]	Δp (Pressure Loss) [Pa]
50	2,0
75	4,0
100	11,0
125	18,0
150	24,0
175	-
200	-
225	-
250	-
300	-
350	-

Figures are based on measurements by the TÜV SÜD.