

# Air Excellent AE34C - AE35SC Adaptor Kit 180°

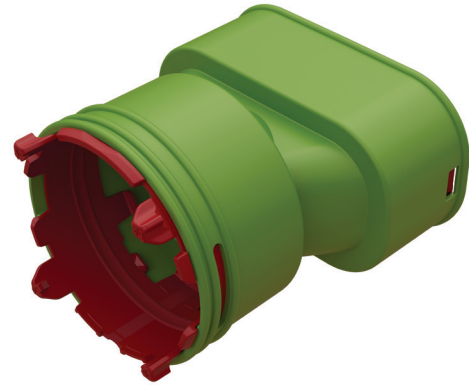
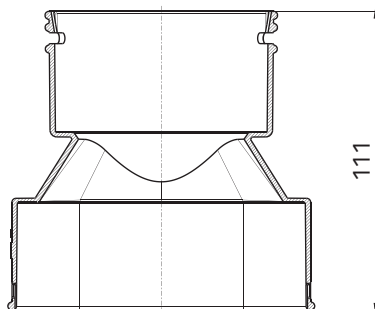
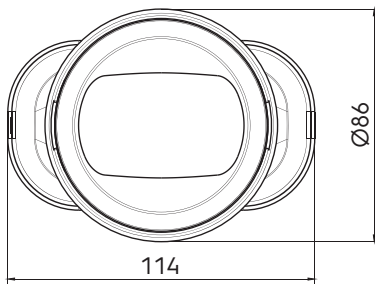
Article number: 188160

## Product overview

The AE34C - AE35SC Adaptor Kit seamlessly connects an AE35SC duct to an AE34C duct and ensures quick, secure and tool-free installation. Includes an AE34C Click-Seal Ring and an AE35SC Seal Ring.

- Airtight connections for reliable system performance
- Low pressure loss to reduce fan energy use
- Quick, tool-free installation
- Lightweight design for easy handling
- TÜV SÜD-certified for quality and safety

## Product dimensions



## Technical specifications

Technical	
Colour	Green
Anti static	<input checked="" type="checkbox"/>
Antimicrobial	<input checked="" type="checkbox"/>
Performance	
Temperature resistance (min.)	-20 °C
Temperature resistance (max.)	60 °C

# Air Excellent AE34C - AE35SC Adaptor Kit 180°

Article number: 188160

## Technical specifications (continuation)

Performance	
Reaction to fire: Euro class	E
Dimensions	
Length gross	111 mm
Width	114 mm
Height	86 mm
Net weight	0.097 kg