

Aerfoam 160-180-200 Wall Bracket

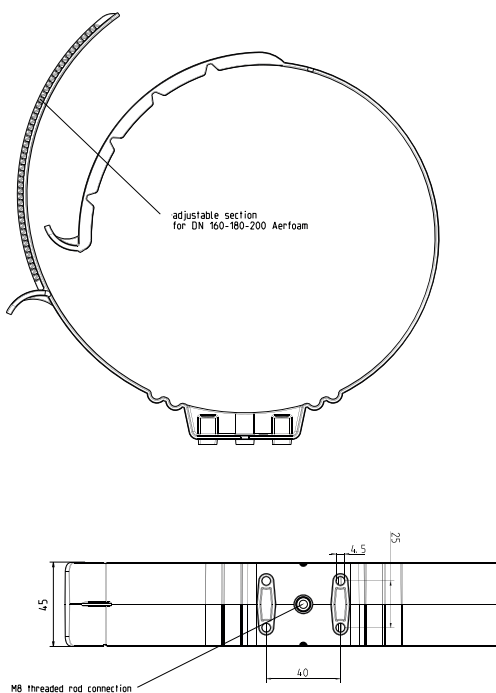
Article number: 169140

Product introduction

The Aerfoam 160-180-200 mm Wall Bracket can be used to mount ducts and fittings of the same diameter to walls or ceilings.

- Designed for quick and simple installation.
- Provides strong and stable support for Aerfoam ducts.
- Matches three Aerfoam duct dimensions for a perfect fit.

Product dimensions



Technical specifications

Technical	
Colour	Grey
Material	PP
Dimensions	
Length gross	235 mm
Width	235 mm
Height	45 mm
Net weight	0.082 kg