

Air Excellent AE55SC Vertical Bend 90° Kit

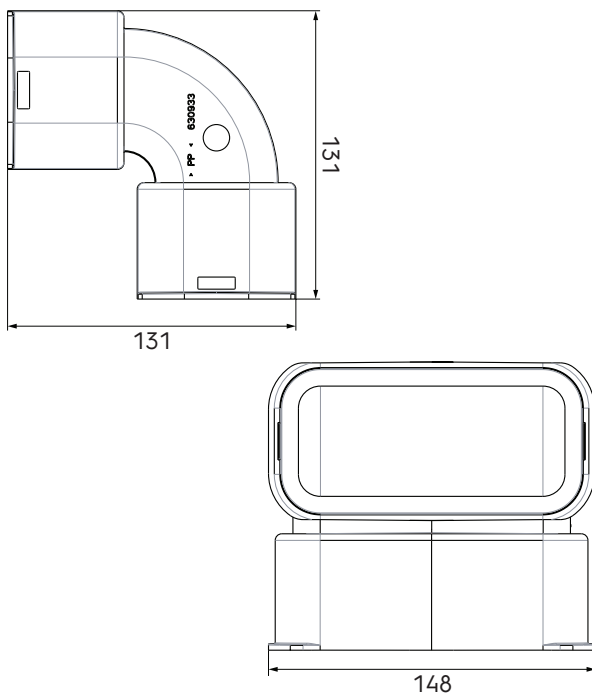
Article number: 188577

Product introduction

An AE55SC duct accessory. Includes 2 AE55SC seal & click rings to connect the ducts to it.

- Modular manifolds, which can be used with all 6 duct types
- Semi-rigid plastic ducts on a roll and airtight mechanical connections, which are extremely easy to install
- Low system pressure loss due to radial design
- Airtight (class D/ATC 2 up +/- 2000 Pa) thanks to mechanical connections, which minimises fan energy use and sound production

Product dimensions



Performance

Airtightness Class D for Air Excellent ductwork, Air Excellent ductwork accessories and the Air Excellent plastic distribution boxes.



Air Excellent AE55SC Vertical Bend 90° Kit

Article number: 188577

Technical specifications

Specifications	
Technical	
Colour	Green
Material	Plastic
Anti static	<input checked="" type="checkbox"/>
Antimicrobial	<input checked="" type="checkbox"/>
Performance	
Temperature resistance (min.)	-20 °C
Temperature resistance (max.)	60 °C
Reaction to fire: Euro class	E
Zeta supply	0.68
Zeta extract	0.68
Dimensions	
Length gross	131 mm
Width	131 mm
Height	148 mm
Net weight	0.72 kg

Air Excellent AE55SC Vertical Bend 90° Kit

Article number: 188577

Technical details



Vertical bend		
Zeta [-]	0,68	
Duct runs	1	
Qv [m³/h]	v [m/s]	Δp [Pa]
0	0,0	0,0
5	0,3	0,0
10	0,5	0,1
15	0,8	0,2
20	1,0	0,4
25	1,3	0,7
30	1,5	0,9
35	1,8	1,3
40	2,1	1,7
45	2,3	2,1
50	2,6	2,6
55	2,8	3,2
60	3,1	3,8
65	3,3	4,5
70	3,6	5,2
75	3,8	5,9
80	4,1	6,8
85	4,4	7,6
90	4,6	8,5
95	4,9	9,5
100	5,1	10,6