

Aerfoam 125 T-Piece

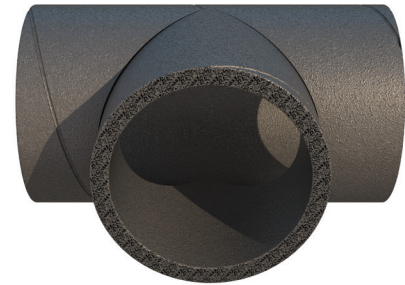
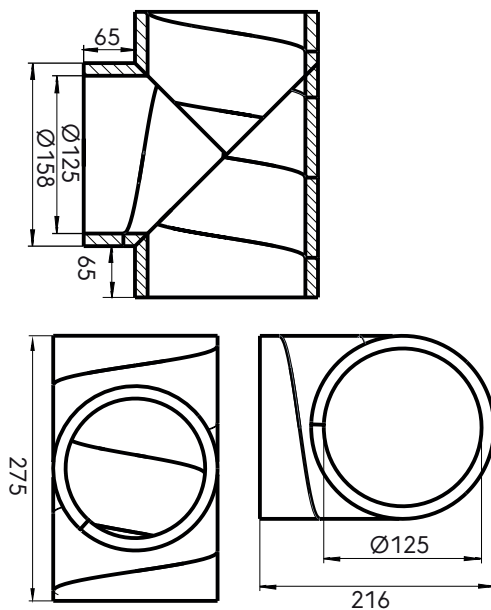
Article number: 188264

Product introduction

The Aerfoam 125 mm T-Piece allows branching in the Aerfoam system. Made of expanded polyethylene (EPE) duct, which minimises the risk of condensation and energy loss. It is very light and extremely easy and safe to install. All Aerfoam parts connect to each other using strong, airtight mechanical connections. They can also be securely mounted to walls or ceilings using brackets. Aerfoam is ideal for both central mechanical ventilation and domestic hot water heat pump systems.

- Insulated to minimise the risk of condensation and energy loss.
- Easy mechanical connection and mounting.
- Lightweight and easy to cut, ensuring quick installation.
- Impact resistant.

Product dimensions



Aerfoam 125 T-Piece

Article number: 188264

Technical specifications

Technical	
Colour	Grey
Insulated	<input checked="" type="checkbox"/>
Diameter inner	125 mm
Insulation thickness	16 mm
Performance	
Zeta supply 1 connection	0.22
Dimensions	
Length gross	275 mm
Width	158 mm
Height	216 mm
Net weight	0.07 kg