

# Valetis Slim Roof Terminal Insulated 160/150 Below PV panels Black

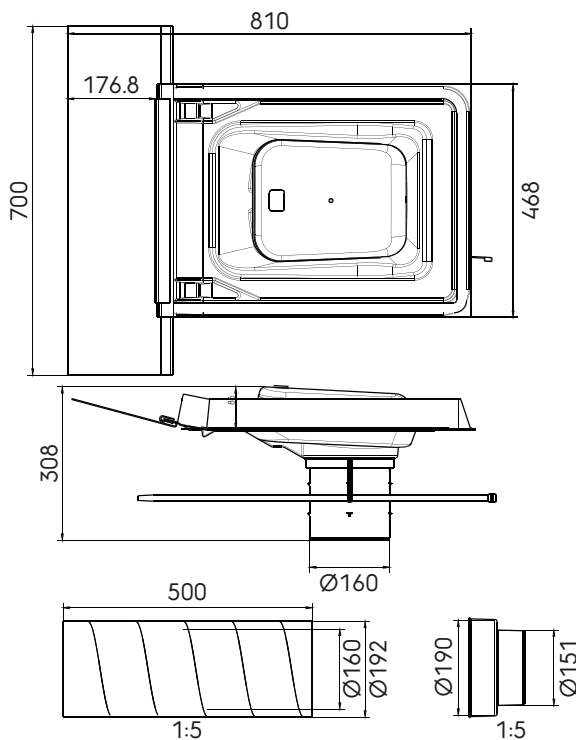
Article number: 172150

## Product introduction

The Valetis Slim is a high-performance insulated roof terminal for extracting air from mechanical ventilation systems, domestic hot water heat pumps, kitchen hoods, and more. Specially designed for installation beneath PV panels, it delivers excellent aerodynamic performance to maximise ventilation efficiency and ensure network compliance. With its slim design, flexible Ubiflex flashing and black finish, it is perfectly suited for both new builds and renovation projects.

- For all pitched roof type finishing
- Low-profile design follows roof shape
- Environment friendly lead-free flashing
- Low pressure loss; high performance
- Insensitive to rain ingress

## Product dimensions



# Valetis Slim Roof Terminal Insulated 160/150 Below PV panels Black

Article number: 172150

## Technical specifications

Technical	
Colour	Black
Diameter	160 mm
Insulated	<input checked="" type="checkbox"/>
Airflow direction	Extract
Insulation material	EPE
Installation	
Roof type	Pitch
Roof angle (min.)	35 °
Roof angle (max.)	67 °
Dimensions	
Length gross	810 mm
Width	700 mm
Height	308 mm