

# Air Excellent 48C DBOX Connection Sleeve

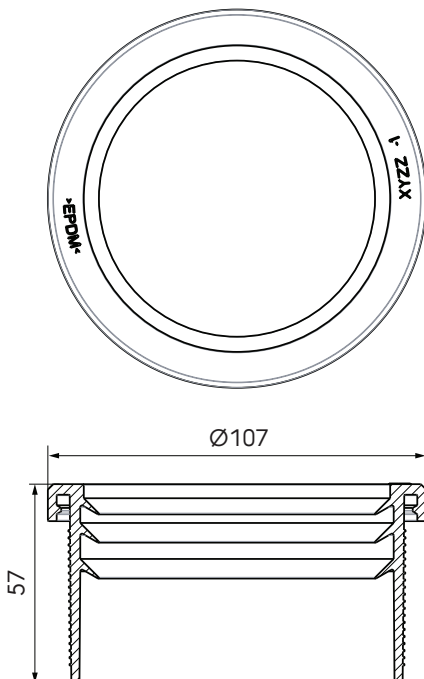
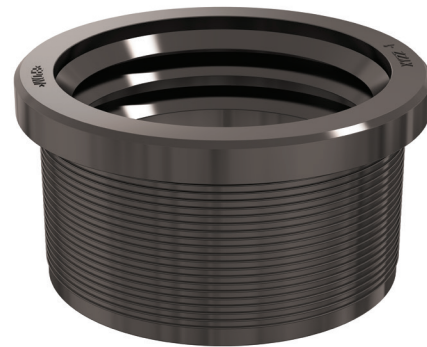
Article number: 188680

## Product introduction

An adaptor used to connect the AE48C 90° bend directly to the distribution box.

- Modular manifolds, which can be used with all 6 duct types
- Semi-rigid plastic ducts on a roll and airtight mechanical connections, which are extremely easy to install
- Low system pressure loss due to radial design
- Airtight (class D/ATC 2 up +/- 2000 Pa) thanks to mechanical connections, which minimises fan energy use and sound production

## Product dimensions



## Technical specifications

Specifications	
Technical	
Colour	Black
Colour indication	RAL 9005
Material	EPDM
Dimensions	
Length gross	107 mm
Width	107 mm

# Air Excellent 48C DBOX Connection Sleeve



Article number: 188680

## Technical specifications (continuation)

Dimensions	
Height	57 mm
Net weight	0.0957 kg