

# Air Excellent AE45SC Seal Ring

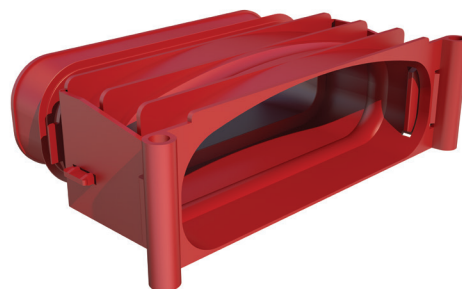
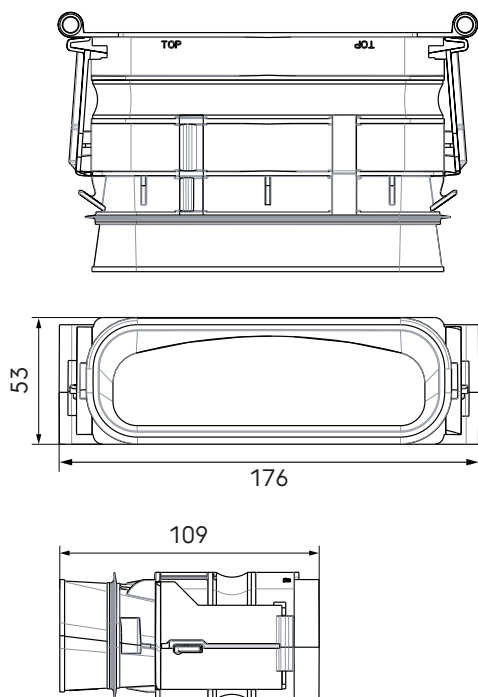
Article number: 188550

## Product introduction

An AE45SC duct accessory used to make airtight mechanical connections without tape or sealant.

- Modular manifolds, which can be used with all 6 duct types
- Semi-rigid plastic ducts on a roll and airtight mechanical connections, which are extremely easy to install
- Low system pressure loss due to radial design
- Airtight (class D/ATC 2 up +/- 2000 Pa) thanks to mechanical connections, which minimises fan energy use and sound production
- TÜV SÜD and ISEGA tested and certified, REACH compliant

## Product dimensions



## Performance

Airtightness Class C for Air Excellent ductwork, Air Excellent ductwork accessories and the Air Excellent plastic distribution boxes. Tested according to TÜV SÜD Standard TAK 01-2013 (system pressure: + 2000 Pa/- 2000 Pa)

# Air Excellent AE45SC Seal Ring

Article number: 188550

## Technical specifications

Specifications	
Technical	
Colour	Red
Material	Plastic
Anti static	<input checked="" type="checkbox"/>
Antimicrobial	<input checked="" type="checkbox"/>
Performance	
Temperature resistance (min.)	-20 °C
Temperature resistance (max.)	60 °C
Reaction to fire: Euro class	E
Dimensions	
Length gross	109 mm
Width	176 mm
Height	53 mm
Net weight	0.085 kg