

# Air Excellent AE48C Click-Seal Ring (10 Pieces)

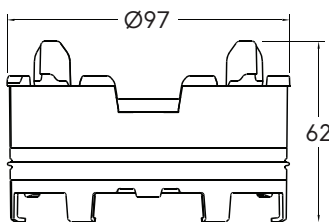
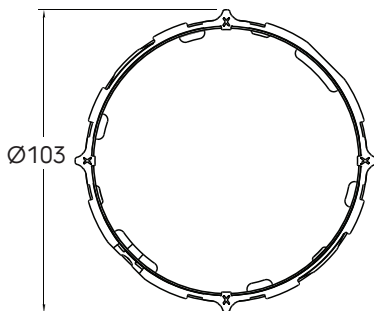
Article number: 189031

## Product introduction

The AE48C Click-Seal ring connects Air Excellent ducts to system accessories, creating a secure and airtight mechanical joint. The ring features a patented 2-in-1 click and seal mechanism, enabling fast, tool-free installation in just one click while ensuring reliable system performance.

- Airtight connections for reliable system performance
- Low pressure loss to reduce fan energy use
- Quick, tool-free installation in just one click
- Patented 2-in-1 click and seal mechanism
- TÜV SÜD-certified for quality and safety

## Product dimensions



## Technical specifications

Performance	
Temperature resistance (min.)	-20 °C
Temperature resistance (max.)	60 °C
Reaction to fire: Euro class	E
Dimensions	
Length gross	103 mm

# Air Excellent AE48C Click-Seal Ring (10 Pieces)

Article number: 189031

## Technical specifications (continuation)

Dimensions	
Width	103 mm
Height	62 mm
Net weight	0.021 kg