

Air Excellent AE34C - AE35SC Adaptor Kit

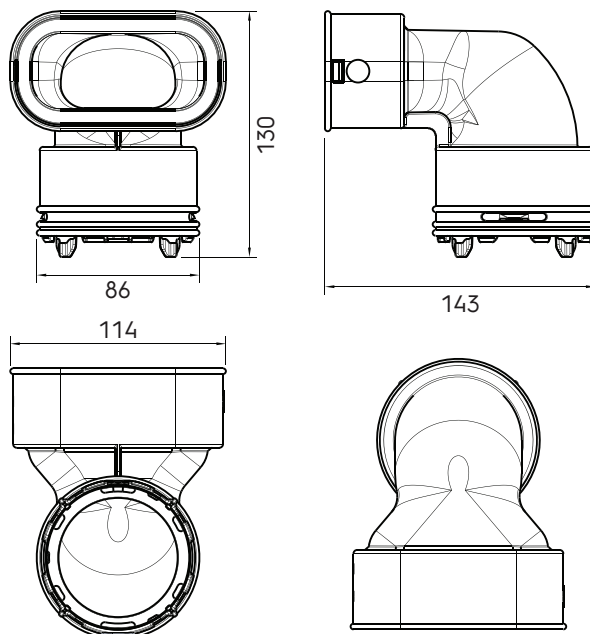
Article number: 188992

Product overview

The AE34C - AE35SC Adaptor Kit seamlessly connects an AE34C and an AE35SC duct, making it possible to create a 90° bend in your system, ensuring a quick, secure and tool-free installation. Includes an AE34C Click-Seal Ring and an AE35SC Seal Ring.

- Airtight connections for reliable system performance
- Low pressure loss to reduce fan energy use
- Quick, tool-free installation
- Lightweight design for easy handling
- TÜV SÜD-certified for quality and safety

Product dimensions



Technical specifications

Technical	
Colour	Green
Anti static	<input checked="" type="checkbox"/>
Antimicrobial	<input checked="" type="checkbox"/>
Performance	
Temperature resistance (min.)	-20 °C

Air Excellent AE34C - AE35SC Adaptor Kit

Article number: 188992

Technical specifications (continuation)

Performance	
Temperature resistance (max.)	60 °C
Reaction to fire: Euro class	E
Zeta supply 1 connection	2.38
Zeta extract 1 connection	2.38
Dimensions	
Length gross	143 mm
Width	114 mm
Height	130 mm
Net weight	0.118 kg

Air Excellent AE34C - AE35SC Adaptor Kit

Article number: 188992

Technical details

AE34C → AE35SC AE35SC → AE34C				
Zeta [-]	2,38		1,14	
Duct runs	1		1	
Qv [m³/h]	v [m/s]	Δp [Pa]	v [m/s]	Δp [Pa]
0	0,0	0,0	0,0	0,0
5	0,4	0,3	0,5	0,1
10	0,9	1,1	0,9	0,6
15	1,3	2,5	1,4	1,3
20	1,8	4,5	1,8	2,2
25	2,2	7,0	2,3	3,5
30	2,7	10,0	2,7	5,0
35	3,1	13,7	3,2	6,9
40	3,6	17,8	3,6	9,0
45	4,0	22,6	4,1	11,3
50	4,5	27,9	4,6	14,0
55	4,9	33,7	5,0	16,9
60	5,3	40,1	-	-