

Aerfoam 160 Bend 30°



ubbink

Build smart.

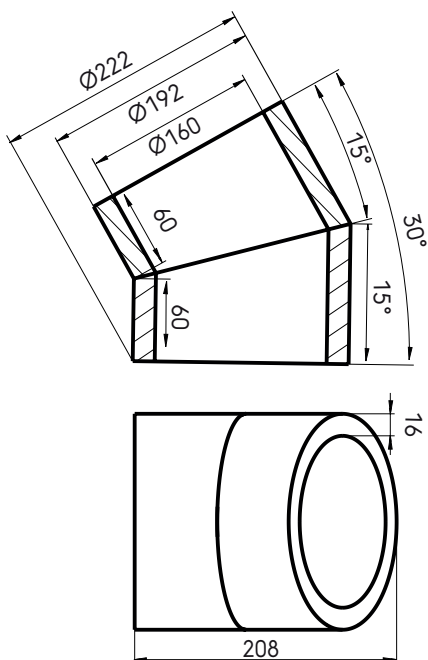
Article number: 188223

Product overview

The Aerfoam 160 mm 30° bend allows directional changes within the Aerfoam system. Made of expanded polyethylene (EPE) duct, it minimises the risk of condensation and energy loss. It is very light and extremely easy and safe to install. All Aerfoam parts connect to each other using strong, airtight mechanical connections. They can also be securely mounted to walls or ceilings using brackets. Aerfoam is ideal for both central mechanical ventilation and domestic hot water heat pump systems.

- Insulated to minimise the risk of condensation and energy loss.
- Easy mechanical connection and mounting.
- Lightweight and easy to cut, ensuring quick installation.
- Impact resistant.

Product dimensions



Aerfoam 160 Bend 30°

Article number: 188223

Technical specifications

Technical	
Colour	Grey
Insulated	<input checked="" type="checkbox"/>
Diameter inner	150 mm
Diameter outer	182 mm
Insulation thickness	16 mm
Performance	
Insulation performance	0.041 W/m.K
Temperature resistance (min.)	-30 °C
Temperature resistance (max.)	60 °C
Installation temperature (min.)	-30 °C
Installation temperature (max.)	60 °C
Zeta supply 1 connection	0.88
Zeta extract 1 connection	0.88
Dimensions	
Length gross	212 mm
Width	192 mm
Height	203 mm
Net weight	0.04 kg

Aerfoam 160 Bend 30°

Article number: 188223

Technical details

DN160 30° Bend		
Zeta [-]	0,22	
Qv [m³/h]	Δp [Pa]	V [m/s]
50	0,06	0,69
100	0,25	1,38
150	0,57	2,07
200	1,01	2,76
250	1,57	3,45
300	2,27	4,14
350	3,09	4,84
400	4,03	5,53
450	5,1	6,22
500	6,3	6,91
550	7,62	7,6