

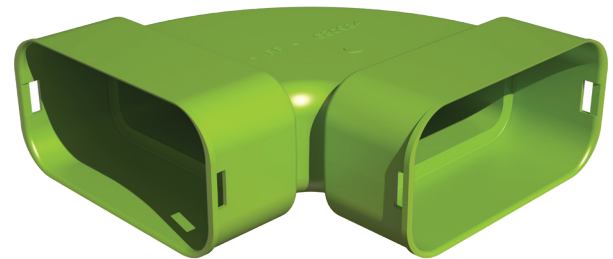
Air Excellent AE55SC Horizontal Bend 90°

Article number: 188154

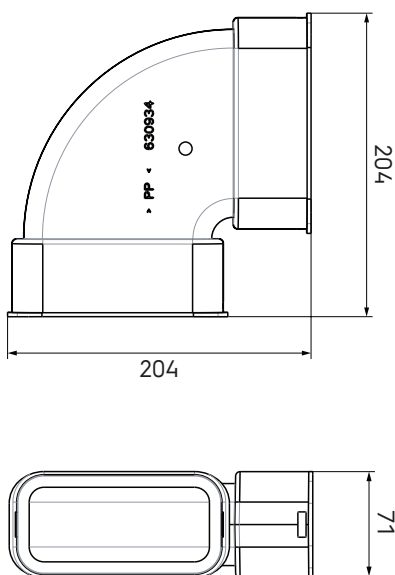
Product introduction

An AE55SC duct accessory. Use 2 AE55SC seal & click rings to connect the ducts to it.

- Modular manifolds, which can be used with all 6 duct types
- Semi-rigid plastic ducts on a roll and airtight mechanical connections, which are extremely easy to install
- Low system pressure loss due to radial design
- Airtight (class D/ATC 2 up +/- 2000 Pa) thanks to mechanical connections, which minimises fan energy use and sound production
- TÜV SÜD and ISEGA tested and certified, REACH compliant



Product dimensions



Performance

Airtightness Class D for Air Excellent ductwork, Air Excellent ductwork accessories and the Air Excellent plastic distribution boxes. Tested according to TÜV SÜD Standard TAK 01-2013 (system pressure: + 2000 Pa/- 2000 Pa)

Air Excellent AE55SC Horizontal Bend 90°

Article number: 188154

Technical specifications

Specifications	
Technical	
Colour	Green
Material	PP
Anti static	<input checked="" type="checkbox"/>
Antimicrobial	<input checked="" type="checkbox"/>
Outer height	60 mm
Outer width	130 mm
Performance	
Temperature resistance (min.)	-20 °C
Temperature resistance (max.)	60 °C
Reaction to fire: Euro class	E
Zeta supply	0.75
Zeta extract	0.75
Dimensions	
Length gross	204 mm
Width	204 mm
Height	71 mm
Net weight	0.18 kg

Air Excellent AE55SC Horizontal Bend 90°

Article number: 188154

Technical details



Horizontal bend		
Zeta [-]	0,75	
Duct runs	1	
Qv [m³/h]	v [m/s]	Δp [Pa]
0	0,0	0,0
5	0,3	0,0
10	0,5	0,1
15	0,8	0,3
20	1,0	0,5
25	1,3	0,7
30	1,5	1,0
35	1,8	1,4
40	2,1	1,9
45	2,3	2,4
50	2,6	2,9
55	2,8	3,5
60	3,1	4,2
65	3,3	4,9
70	3,6	5,7
75	3,8	6,5
80	4,1	7,4
85	4,4	8,4
90	4,6	9,4
95	4,9	10,5
100	5,1	11,6