

# Air Excellent 2x AE23C - AE55SC Adaptor Kit

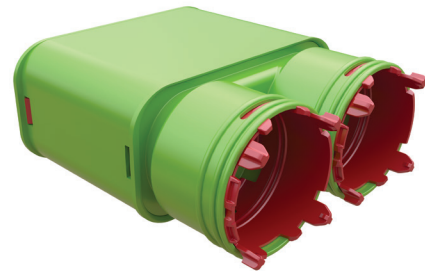
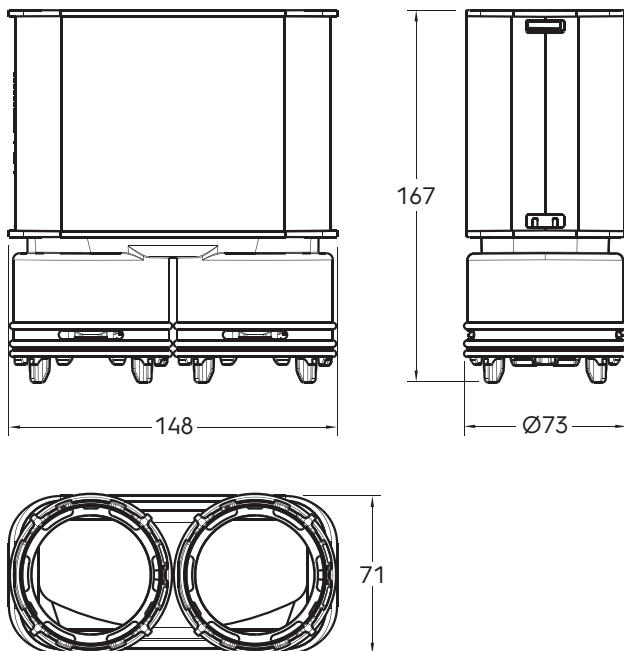
Article number: 188986

## Product introduction

The 2x AE23C - AE55SC Adaptor Kit seamlessly connects an AE55SC duct with two AE23C ducts, ensuring a quick, secure and tool-free installation. Includes two AE23C Click-Seal Rings.

- Airtight connections for reliable system performance
- Low pressure loss to reduce fan energy use
- Quick, tool-free installation
- Lightweight design for easy handling
- TÜV SÜD-certified for quality and safety

## Product dimensions



## Technical specifications

Technical	
Colour	Green
Anti static	<input checked="" type="checkbox"/>
Antimicrobial	<input checked="" type="checkbox"/>
Performance	
Temperature resistance (min.)	-20 °C
Temperature resistance (max.)	60 °C

# Air Excellent 2x AE23C - AE55SC Adaptor Kit

Article number: 188986

## Technical specifications (continuation)

Performance	
Reaction to fire: Euro class	E
Dimensions	
Length gross	168 mm
Width	148 mm
Height	73 mm
Net weight	0.136 kg