

# Air Excellent AE48C Crossing Kit

Article number: 189035

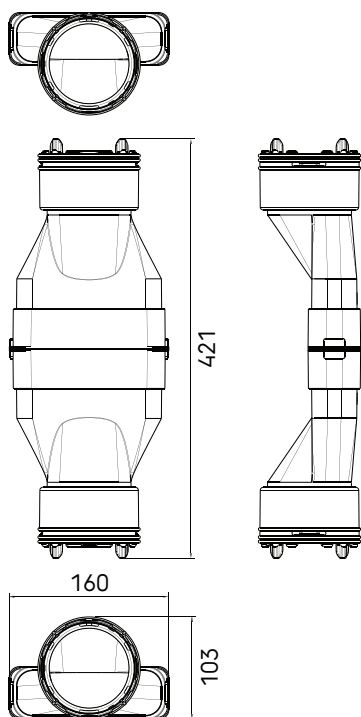
## Product introduction

The AE48C Crossing Kit enables two AE48C semi-rigid ducts to cross with minimal space requirements. With a height of just 50 mm, the crossing kit is designed to bypass obstacles. When a second AE48C crossover kit is placed on top of the first, the AE48C ducts can be crossed without increasing the overall height of the installation. Includes two AE48C Click-Seal Rings.

- Airtight connections for reliable system performance
- Low pressure loss to reduce fan energy use
- Quick, tool-free installation
- Lightweight design for easy handling
- TÜV SÜD-certified for quality and safety



## Product dimensions



## Technical specifications

Technical	
Colour	Green
Anti static	<input checked="" type="checkbox"/>
Antimicrobial	<input checked="" type="checkbox"/>

# Air Excellent AE48C Crossing Kit

Article number: 189035

## Technical specifications (continuation)

Performance	
Temperature resistance (min.)	-20 °C
Temperature resistance (max.)	60 °C
Reaction to fire: Euro class	E
Zeta supply 1 connection	1.97
Zeta extract 1 connection	1.97
Dimensions	
Length gross	421 mm
Width	160 mm
Height	103 mm
Net weight	0.285 kg