

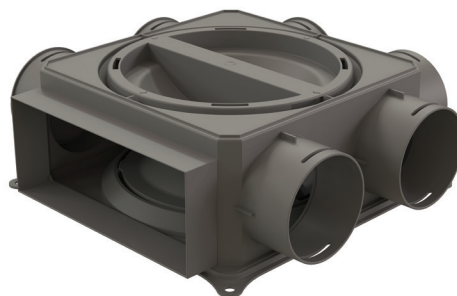
Air Excellent 200 Series DBOX DB206H200x80

Article number: 188673

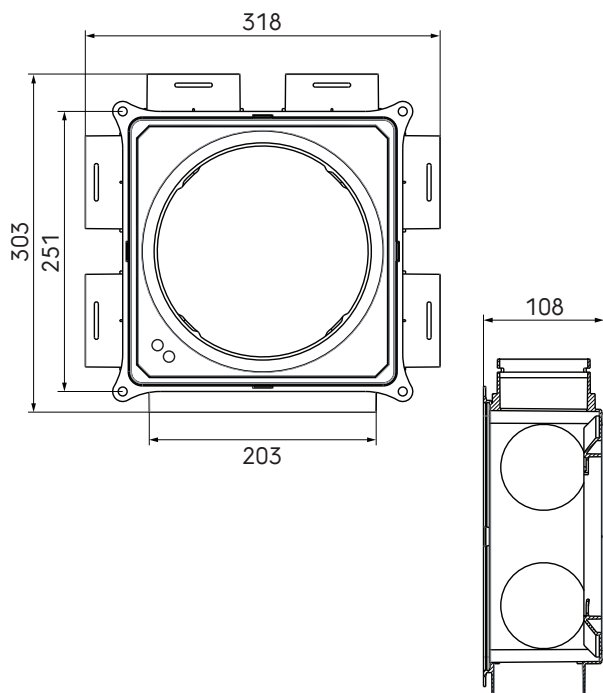
Product introduction

Air Excellent distribution box to which all Air Excellent duct types can be connected.

- Modular manifolds, which can be used with all 6 duct types
- Semi-rigid plastic ducts on a roll and airtight mechanical connections, which are extremely easy to install
- Low system pressure loss due to radial design
- Airtight (class D/ATC 2 up +/- 2000 Pa) thanks to mechanical connections, which minimises fan energy use and sound production



Product dimensions



Technical specifications

Specifications	
Technical	
Colour	Grey
Material	PP
Anti static	<input checked="" type="checkbox"/>
Antimicrobial	<input checked="" type="checkbox"/>
Performance	
Temperature resistance (min.)	-20 °C

Air Excellent 200 Series DBOX DB206H200x80



Article number: 188673

Technical specifications (continuation)

Performance	
Temperature resistance (max.)	60 °C
Reaction to fire: Euro class	E
Dimensions	
Length gross	318 mm
Width	303 mm
Height	108 mm
Net weight	0.86 kg

Air Excellent 200 Series DBOX DB206H200x80

Article number: 188673

Technical details

Pressure Loss Dbox	
Qv (Volume) [m³/h]	Δp (Pressure Loss) [Pa]
50	2,0
75	3,0
100	4,0
125	5,0
150	8,0
175	10,0
200	12,0
225	14,0
250	-
300	-
350	-

Figures are based on measurements by the TÜV SÜD.