

# Air Excellent AE55SC Seal Ring

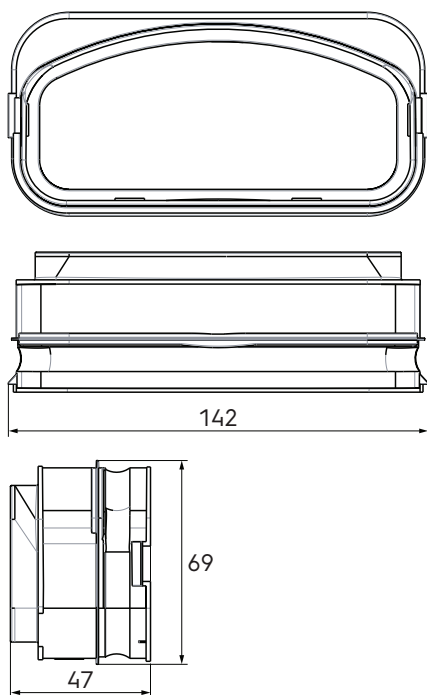
Article number: 188152

## Product introduction

An AE55SC duct accessory used to make airtight mechanical connections without tape or sealant.

- Modular manifolds, which can be used with all 6 duct types
- Semi-rigid plastic ducts on a roll and airtight mechanical connections, which are extremely easy to install
- Low system pressure loss due to radial design
- Airtight (class D/ATC 2 up +/- 2000 Pa) thanks to mechanical connections, which minimises fan energy use and sound production
- TÜV SÜD and ISEGA tested and certified, REACH compliant

## Product dimensions



## Performance

Airtightness Class D for Air Excellent ductwork, Air Excellent ductwork accessories and the Air Excellent plastic distribution boxes. Tested according to TÜV SÜD Standard TAK 01-2013 (system pressure: + 2000 Pa/- 2000 Pa)

# Air Excellent AE55SC Seal Ring

Article number: 188152

## System short description

An AE55SC (130x60mm) duct accessory used to make airtight mechanical connections without tape or sealants (airtightness class D = ATC 2 up to +/- 2000 Pa).

## Technical specifications

Specifications	
Technical	
Colour	Red
Material	Plastic
Diameter	100 mm
Dimensions	
Length gross	142 mm
Width	47.5 mm
Height	69.2 mm
Net weight	0.03 kg