

Air Excellent AE34C Floor Grille Adaptor

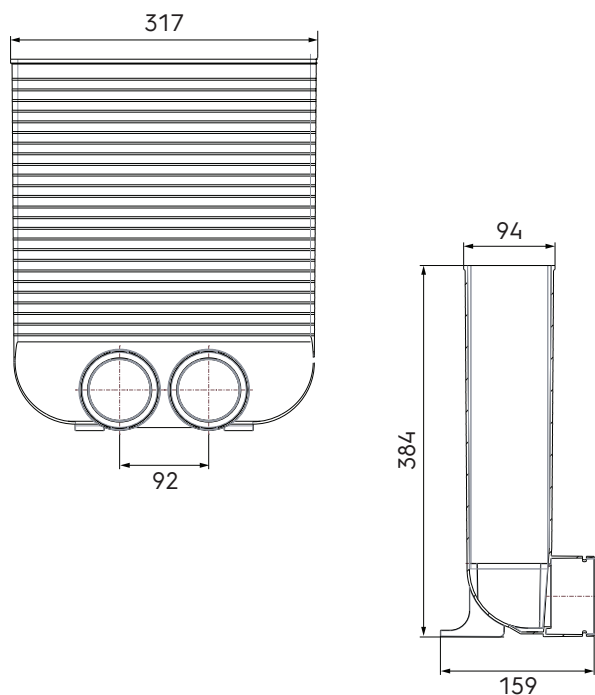
Article number: 188397

Product introduction

An AE34C duct accessory. Use a AE34C seal rings and a AE34C click rings to connect a AE34C duct to it.

- Modular manifolds, which can be used with all 6 duct types
- Semi-rigid plastic ducts on a roll and airtight mechanical connections, which are extremely easy to install
- Low system pressure loss due to radial design
- Airtight (class D/ATC 2 up +/- 2000 Pa) thanks to mechanical connections, which minimises fan energy use and sound production
- TÜV SÜD and ISEGA tested and certified, REACH compliant

Product dimensions



Performance

Airtightness Class D for Air Excellent ductwork, Air Excellent ductwork accessories and the Air Excellent plastic distribution boxes. Tested according to TÜV SÜD Standard TAK 01-2013 (system pressure: + 2000 Pa/- 2000 Pa)



Air Excellent AE34C Floor Grille Adaptor

Article number: 188397

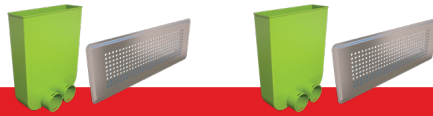
Technical specifications

Specifications	
Technical	
Colour	Green
Material	PP
Anti static	<input checked="" type="checkbox"/>
Antimicrobial	<input checked="" type="checkbox"/>
Performance	
Temperature resistance (min.)	-20 °C
Temperature resistance (max.)	60 °C
Reaction to fire: Euro class	E
Dimensions	
Length gross	159 mm
Width	317 mm
Height	383 mm
Net weight	0.793 kg

Air Excellent AE34C Floor Grille Adaptor

Article number: 188397

Technical details



Air supply with grille

Zeta [-]	1,13		2,47	
Duct runs	1		2	
Qv [m³/h]	v [m/s]	Δp [Pa]	v [m/s]	Δp [Pa]
0	0,0	0,0	0,0	0,0
5	0,4	0,1	0,2	0,1
10	0,9	0,5	0,4	0,3
15	1,3	1,2	0,7	0,7
20	1,8	2,1	0,9	1,2
25	2,2	3,3	1,1	1,8
30	2,7	4,8	1,3	2,6
35	3,0	6,0	1,6	3,5
40	3,1	6,5	1,8	4,6
45	3,6	8,5	2,0	5,9
50	4,0	10,7	2,2	7,2
55	4,5	13,2	2,5	8,8
60	4,9	16,0	2,7	10,4
65	5,3	19,1	2,9	12,2
67	-	-	3,0	13,1
70	-	-	3,1	14,2
75	-	-	3,3	16,3
80	-	-	3,6	18,5
85	-	-	3,8	20,9
90	-	-	4,0	23,4
95	-	-	4,2	26,1
100	-	-	4,5	28,9
105	-	-	4,7	31,9
110	-	-	4,9	35,0
115	-	-	5,1	38,3