

Air Excellent AE23C Accessory cap

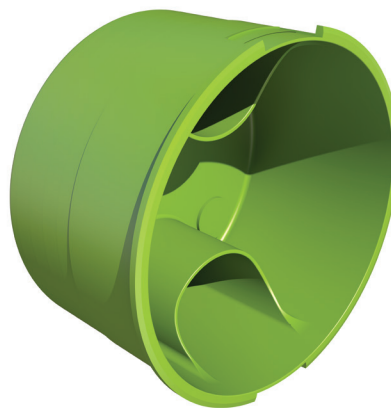
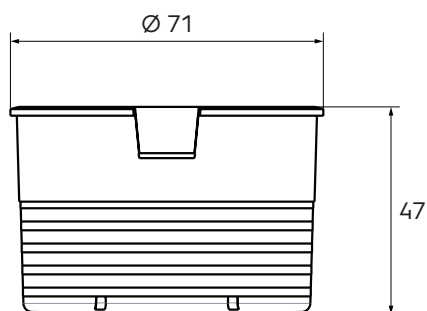
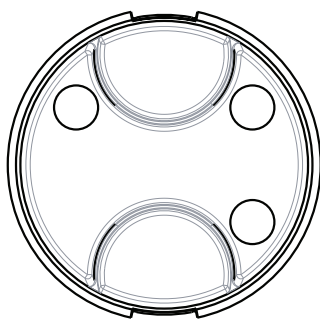
Article number:

Product introduction

An AE23C duct accessory used to seal a connection on the AE23C valve adaptors.

- Modular manifolds, which can be used with all 6 duct types
- Semi-rigid plastic ducts on a roll and airtight mechanical connections, which are extremely easy to install
- Low system pressure loss due to radial design
- Airtight (class D/ATC 2 up +/- 2000 Pa) thanks to mechanical connections, which minimises fan energy use and sound production
- TÜV SÜD and ISEGA tested and certified, REACH compliant

Product dimensions



Technical specifications

Specifications	
Technical	
Colour	Green
Material	PP
Diameter	63 mm

Air Excellent AE23C Accessory cap

Article number:

Technical specifications (continuation)

Dimensions	
Length gross	71 mm
Width	71 mm
Height	46 mm
Net weight	0.01 kg