

DAMPER KIT DISTRIBUTION BOX

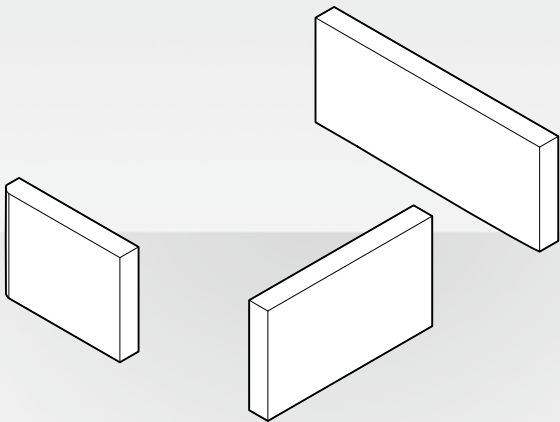
Installation instructions

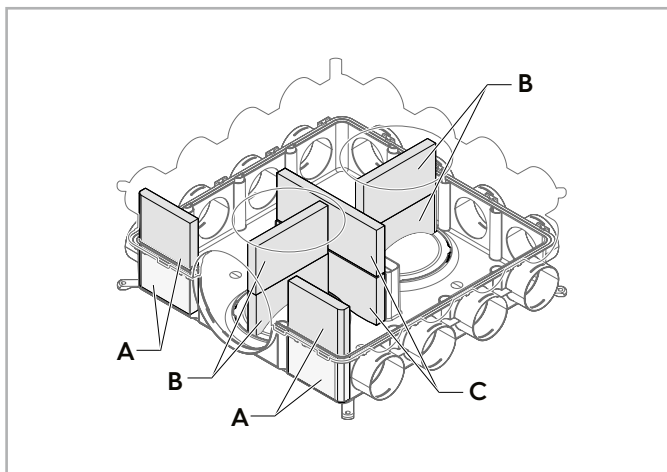
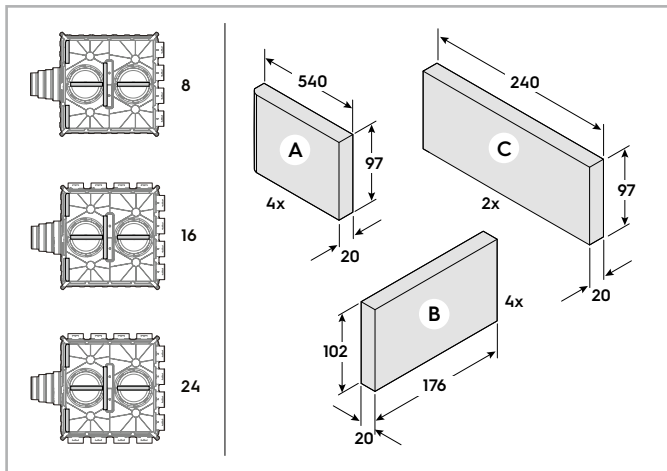
Règles d'installation de base

Installatieprincipes

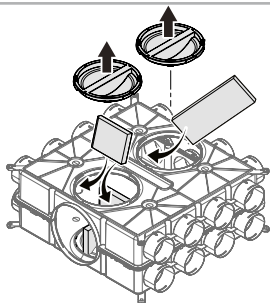
Installationsgrundlagen

Istruzioni di base

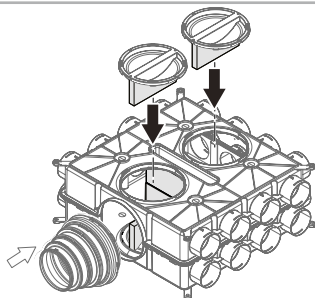




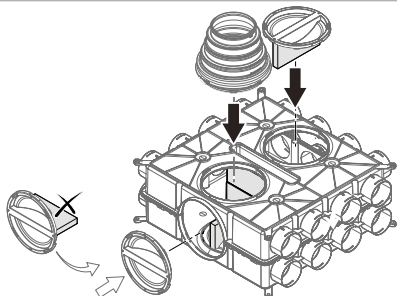
1



2



3





ENERGY



VENTILATION



BUILDING

Nederland • 📞 +31 313 480-300 • @ productadvieslijn@ubbink.nl

France • 📞 +33 (0)2 51 13 46 46 • @ ubbink@ubbink.fr

Belgium • 📞 +32 9 237 11 00 • @ info.bouw@ubbink.be

United Kingdom • 📞 +44 1604 433-000 • @ info@ubbink.co.uk

Deutschland • 📞 +49 2301 91011-0 • @ info@ubbink.de

Italia • 📞 +39 045 602 0433 • @ info@ubbink.it



Ubbink International

@ info@ubbink.com • 🌐 www.ubbink.com

Copyright © 2024 Ubbink | Content is subject to change without notice; no liability for errors and misprints. Availability and configurations may differ per country | UB-2024-08-V01

100000072746