

Aerfoam 200 Bend 45°

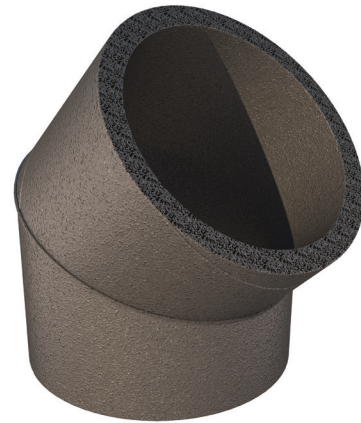
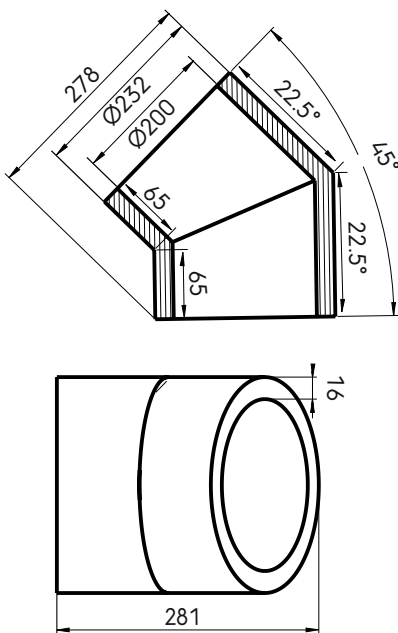
Article number: 188226

Product overview

The Aerfoam 200 mm 45° bend allows directional changes within the Aerfoam system. Made of expanded polyethylene (EPE) duct, it minimises the risk of condensation and energy loss. It is very light and extremely easy and safe to install. All Aerfoam parts connect to each other using strong, airtight mechanical connections. They can also be securely mounted to walls or ceilings using brackets. Aerfoam is ideal for both central mechanical ventilation and domestic hot water heat pump systems.

- Insulated to minimise the risk of condensation and energy loss.
- Easy mechanical connection and mounting.
- Lightweight and easy to cut, ensuring quick installation.
- Impact resistant.

Product dimensions



Aerfoam 200 Bend 45°

Article number: 188226

Technical specifications

| Technical | |
|---------------------------------|-------------------------------------|
| Colour | Grey |
| Insulated | <input checked="" type="checkbox"/> |
| Diameter inner | 200 mm |
| Diameter outer | 232 mm |
| Insulation thickness | 16 mm |
| Performance | |
| Insulation performance | 0.041 W/m.K |
| Temperature resistance (min.) | -30 °C |
| Temperature resistance (max.) | 60 °C |
| Installation temperature (min.) | -30 °C |
| Installation temperature (max.) | 60 °C |
| Zeta supply 1 connection | 0.389 |
| Zeta extract 1 connection | 0.389 |
| Dimensions | |
| Length gross | 278 mm |
| Width | 232 mm |
| Height | 281 mm |
| Net weight | 0.06 kg |

Aerfoam 200 Bend 45°

Article number: 188226

Technical details

| DN200 45° Bend | | |
|----------------|---------|---------|
| Zeta [-] | 0,28 | |
| Qv [m³/h] | Δp [Pa] | V [m/s] |
| 50 | 0,03 | 0,44 |
| 100 | 0,13 | 0,88 |
| 150 | 0,3 | 1,33 |
| 200 | 0,53 | 1,77 |
| 250 | 0,82 | 2,21 |
| 300 | 1,18 | 2,65 |
| 350 | 1,61 | 3,09 |
| 400 | 2,1 | 3,54 |
| 450 | 2,66 | 3,98 |
| 500 | 3,28 | 4,42 |
| 550 | 3,97 | 4,86 |
| 600 | 4,73 | 5,31 |
| 650 | 5,55 | 5,75 |
| 700 | 6,44 | 6,19 |
| 750 | 7,39 | 6,63 |
| 800 | 8,41 | 7,07 |
| 850 | 9,49 | 7,52 |
| 900 | 10,64 | 7,96 |