

Air Excellent AE23c Bend Kit 90°

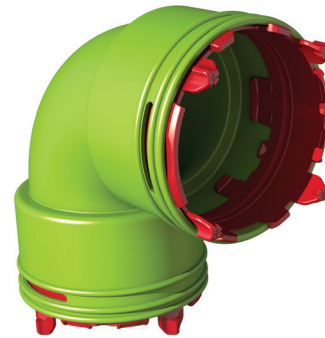
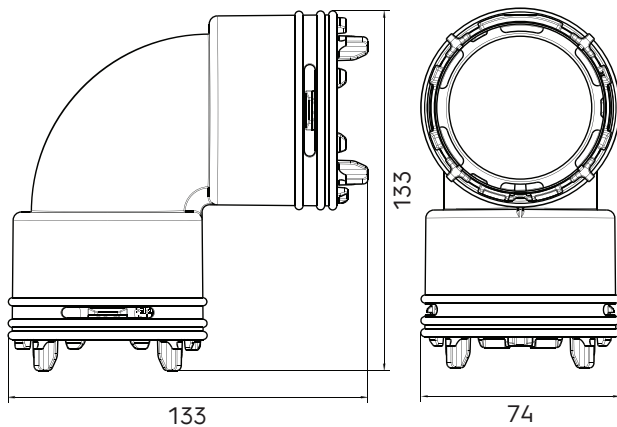
Article number: 188985

Product overview

The AE23C Bend Kit 90° seamlessly connects two AE23C ducts, making it possible to create a 90° bend in your system, ensuring a quick, secure and tool-free installation. Includes two AE23C Click-Seal Rings.

- Airtight connections for reliable system performance
- Low pressure loss to reduce fan energy use
- Quick, tool-free installation
- Lightweight design for easy handling
- TÜV SÜD-certified for quality and safety

Product dimensions



Technical specifications

Technical	
Colour	Green
Anti static	<input checked="" type="checkbox"/>
Antimicrobial	<input checked="" type="checkbox"/>
Diameter outer	63 mm
Performance	
Temperature resistance (min.)	-20 °C

Air Excellent AE23c Bend Kit 90°

Article number: 188985

Technical specifications (continuation)

Performance	
Temperature resistance (max.)	60 °C
Reaction to fire: Euro class	E
Zeta supply 1 connection	1.15
Zeta extract 1 connection	1.15
Dimensions	
Length gross	133 mm
Width	74 mm
Height	133 mm
Net weight	0.08 kg

Air Excellent AE23c Bend Kit 90°

Article number: 188985

Technical details



AE23C 90° bend		
Zeta [-]	1,15	
Duct runs	1	
Qv [m³/h]	v [m/s]	Δp [Pa]
0	0,0	0,0
5	0,7	0,3
10	1,3	1,2
15	2,0	2,6
20	2,6	4,6
25	3,3	7,3
30	3,9	10,5
35	4,6	14,2
40	5,2	18,6