

Air Excellent 2x AE23C - AE55SC Vertical Bend Adaptor Kit

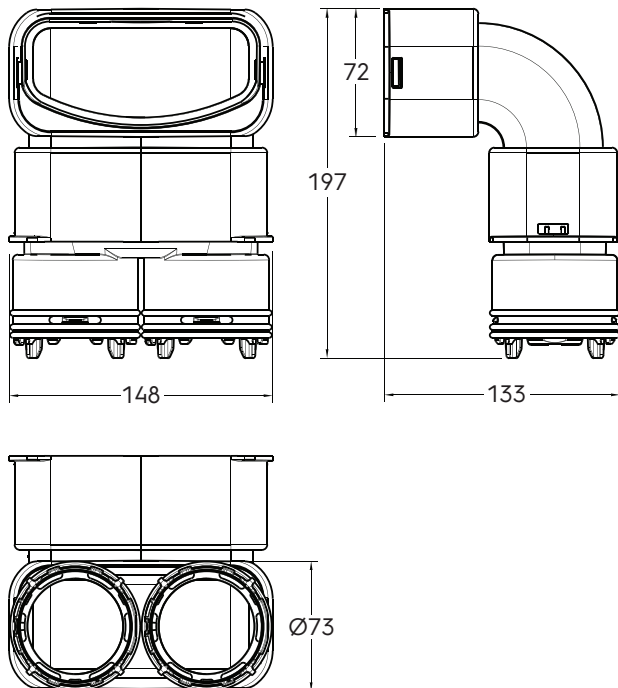
Article number: 188988

Product overview

The 2x AE23C - AE55SC Vertical Bend Adaptor Kit seamlessly connects two AE23C ducts with an AE55SC duct making it possible to create a vertical 90° bend in your system, ensuring a quick, secure and tool-free installation. Includes two AE23C Click-Seal Rings and one AE55SC Seal Ring.

- Airtight connections for reliable system performance
- Low pressure loss to reduce fan energy use
- Quick, tool-free installation
- Lightweight design for easy handling
- TÜV SÜD-certified for quality and safety

Product dimensions



Technical specifications

Technical	
Colour	Green
Anti static	<input checked="" type="checkbox"/>
Antimicrobial	<input checked="" type="checkbox"/>
Outer height	60 mm
Outer width	130 mm

Air Excellent 2x AE23C - AE55SC Vertical Bend Adaptor Kit

Article number: 188988

Technical specifications (continuation)

Performance	
Temperature resistance (min.)	-20 °C
Temperature resistance (max.)	60 °C
Reaction to fire: Euro class	E
Dimensions	
Length gross	197 mm
Width	148 mm
Height	133 mm
Net weight	0.136 kg