

AERFOAM

Insulated ductwork system
for air distribution



ubbink

Build smart.



Aerfoam

What is Aerfoam?

By using an insulated pipe system, condensation and heat loss are prevented. Insulated pipes are also sound-absorbing. Aerfoam, Ubbink's insulated pipe system, is suitable for both mechanical ventilation systems and balance ventilation with WTW (heat recovery).

Work faster with Aerfoam

Aerfoam is a time-saving solution that meets high ventilation requirements. Aerfoam proves its worth in places where condensation forms and in pipes and ducts that you would normally want to post-insulate. Think of the ducts around the ventilation unit and the ducts to the terminals.



Advantages

Short-term and long-term Aerfoam advantages

Energy efficiency

- Well-insulated
- Low pressure
- Non-porous
- Airtight

System completeness

- Available in 125, 150, 160, 180mm and 200mm
- 45° and 90° bends for 125, 150, 160, 180 and 200mm
- 15° and 30° bends for 150, 160 and 180mm
- T-pieces for 125 and 160mm and Y-pieces for 150 and 180mm
- Adaptors for connections to insulated terminals

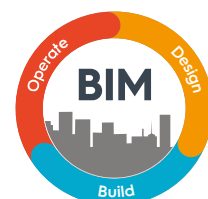


Aesthetics

- Doesn't rust
- Compact connections
- No unattractive post installation materials needed

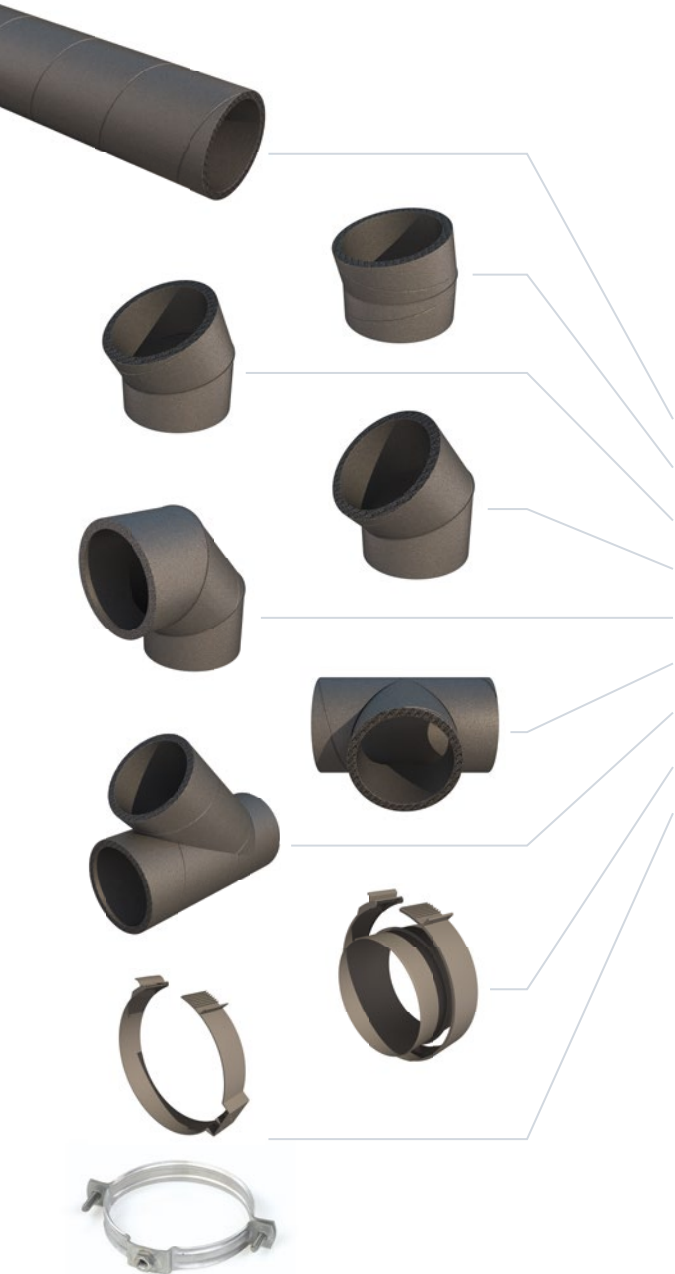
Convenient installation and planning

- Mechanical connections
- Extremely light material
- Easy and safe to cut
- Pliable
- Impact resistant
- Easy to dismantle for maintenance
- BIM-ready



Smart & Easy to install

A complete, airtight ductwork system



Diameter [mm]	125	150	160	180	200
Insulated duct - 2m	✓	✓	✓	✓	✓
15° bend	-	✓	✓	✓	-
30° bend	-	✓	✓	✓	-
45° bend	✓	✓	✓	✓	✓
90° bend	✓	✓	✓	✓	✓
T-Piece	✓	-	✓	-	-
Y-Piece	-	✓	-	✓	-
Duct connector	✓	✓	✓	✓	✓
Wall bracket	✓	✓	✓	✓	✓

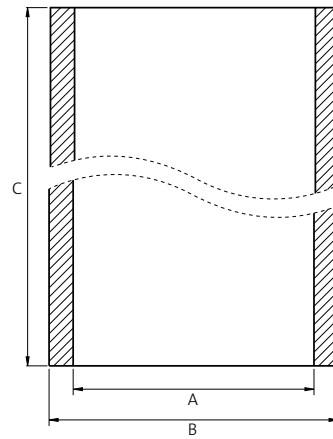
Insulating ducts in air distribution systems used for ventilation, heating or cooling is often required to minimise heat loss or prevent condensation on or in the duct. Ubbink has developed a complete range of insulated ductwork, which are extremely easy to install and maintain. They are available in a large range of diameters and bends. Several accessories including terminals and airtight external duct seals complete the program.

There is a risk of condensation in or on ductwork if the air in the duct is colder than the ambient air (or vice versa). Therefore, it is very important to use insulated ductwork if such conditions could occur.

Technical Details

Specifications	
Function	Transport of air for ventilation and/or heating and/or cooling
Material duct	EPE
Material connectors and wall brackets	PP
Material wall bracket 200	Aluminium
Ductwork length	2.00m
Density	30kg/m ³
Heat transfer coefficient	0.041W/m.K (EN 12667)
Thermal resistance	R = 0.39m ² K/W
Temperature range	Min. -30°C Max. +60°C
Wall thickness	16mm
Reaction to fire duct	Class B - s2, d0 (EN 13501-1:2018)
Reaction to fire connectors and wall brackets	Class E (EN 13501)
Airtightness	D (EN 12237) = ATC 2 (EN 16798)
Colour	Grey

Dimensions	125	150	160	180	200
A [mm]	125	150	160	180	200
B [mm]	157	182	192	212	232
C [mm]	2.000	2.000	2.000	2.000	2.000
m [kg]	0,48	0,56	0,53	0,67	0,80



Performance

Diameter [mm]	125	150	160	180	200
Qv (Volume) [m ³ /h]	Δp (Pressure loss) [Pa]				
100	1,0	1,0	1,0	1,0	0,1
200	2,7	1,1	1,0	1,0	0,2
300	6,1	2,5	1,8	1,0	0,5
400	10,8	4,5	3,1	1,6	0,9
500	16,9	7,0	4,9	2,5	1,3
600	24,3	10,1	7,0	3,6	1,9

Diameter [mm]	125	150	160	180	200
Qv (Volume) [m ³ /h]	v (Velocity) [m/s]				
100	2,3	1,6	1,4	1,1	0,9
200	4,5	3,1	2,8	2,2	1,8
300	6,8	4,7	4,1	3,3	2,7
400	9,1	6,3	5,5	4,4	3,5
500	11,3	7,9	6,9	5,5	4,4
600	13,6	9,4	8,3	6,5	5,3



ENERGY



VENTILATION



BUILDING



Ubbink UK Ltd

@ info@ubbink.co.uk •  www.ubbink.com

© 2022 - Ubbink Centrotherm Group | Content is subject to change without notice, no liability for errors and misprints. | Availability and configurations may differ per country. | UB-2022-10-V01-UK-EN