

Aerfoam 125 Bend 15°



ubbink

Build smart.

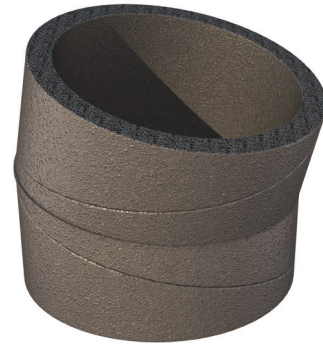
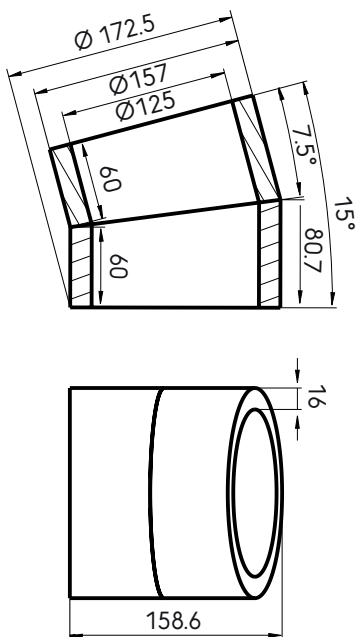
Article number: 188260

Product overview

The Aerfoam 125 mm 15° bend allows directional changes within the Aerfoam system. Made of expanded polyethylene (EPE) duct, it minimises the risk of condensation and energy loss. It is very light and extremely easy and safe to install. All Aerfoam parts connect to each other using strong, airtight mechanical connections. They can also be securely mounted to walls or ceilings using brackets. Aerfoam is ideal for both central mechanical ventilation and domestic hot water heat pump systems.

- Insulated to minimise the risk of condensation and energy loss.
- Easy mechanical connection and mounting.
- Lightweight and easy to cut, ensuring quick installation.
- Impact resistant.

Product dimensions



Aerfoam 125 Bend 15°

Article number: 188260

Technical specifications

Technical	
Colour	Grey
Insulated	<input checked="" type="checkbox"/>
Diameter inner	125 mm
Diameter outer	157 mm
Insulation thickness	16 mm
Performance	
Insulation performance	0.041 W/m.K
Temperature resistance (min.)	-30 °C
Temperature resistance (max.)	60 °C
Installation temperature (min.)	-30 °C
Installation temperature (max.)	60 °C
Zeta supply 1 connection	0.53
Zeta extract 1 connection	0.53
Dimensions	
Length gross	173 mm
Width	157 mm
Height	159 mm
Net weight	0.031 kg

Aerfoam 125 Bend 15°

Article number: 188260

Technical details

DN125 15° Bend		
Zeta [-]	0,20	
Qv [m³/h]	Δp [Pa]	V [m/s]
50	0,15	1,13
100	0,61	2,26
150	1,38	3,4
200	2,46	4,53
250	3,84	5,66
300	5,53	6,79
350	7,53	7,92