

# Contego Wall Terminal 180mm Black Grey



ubbink

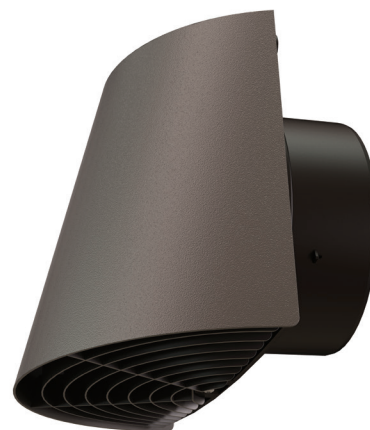
Build smart.

Article number: 188842

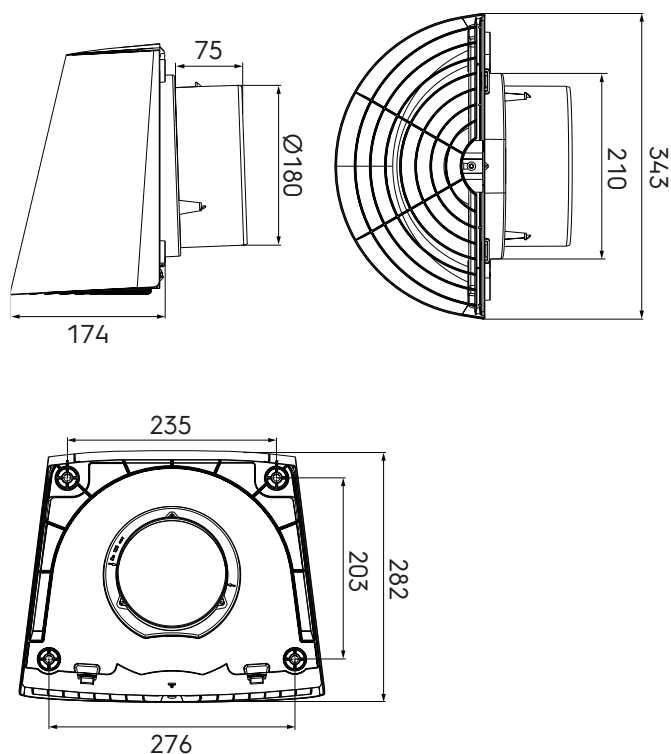
## Product introduction

The Contego Wall Terminal is used in central mechanical ventilation systems. Suitable for both supply and extract air, it connects to the unit through Aerfoam insulated ducts. Contego combines functionality and ease of installation. It prevents water drips, minimizes dirt build-up, and has a bottom grille to keep pests out. Made from durable, UV-resistant PP material, its black grey matte finish blends well with any walls. Installation is quick and easy, with a wall-mounted base allowing for easy access and a cap that simply clips on top.

- Suitable for air supply or air extract
- Quick and easy installation allowing for easy access
- Made from durable and UV-resistant PP material
- Designed to prevent water dripping down the wall, dirt build-up around the terminal and pests from entering
- Adapts to all types of wall finishes thanks to its modern, discreet design



## Product dimensions



# Contego Wall Terminal 180mm Black Grey

Article number: 188842

## Technical specifications

Specifications	
Technical	
Colour	Anthracite
Colour indication	RAL 7021
Material	PP
Diameter	180 mm
Airflow direction	Supply / extract
Dimensions	
Length gross	266 mm
Width	343 mm
Height	282 mm
Net weight	0.69 kg

# Contego Wall Terminal 180mm Black Grey

Article number: 188842

## Technical details

180 mm	Air Supply		Air Extract	
Zeta [-]	1,19		1,88	
Qv [m <sup>3</sup> /h]	v [m/s]	Δp [Pa]	v [m/s]	Δp [Pa]
0	0,0	0,0	0,0	0,0
50	0,5	0,2	0,5	0,3
100	1,1	0,8	1,1	1,3
150	1,6	1,9	1,6	3,0
200	2,2	3,3	2,2	5,3
250	2,7	5,2	2,7	8,3
300	3,3	7,5	3,3	11,9
350	3,8	10,2	3,8	16,2
400	4,4	13,4	4,4	21,1
450	4,9	16,9	4,9	26,8
500	5,5	20,9	5,5	33,0