

# Ubiflex Finio 250mm x 5m Black



ubbink

Build smart.

Article number: 535200

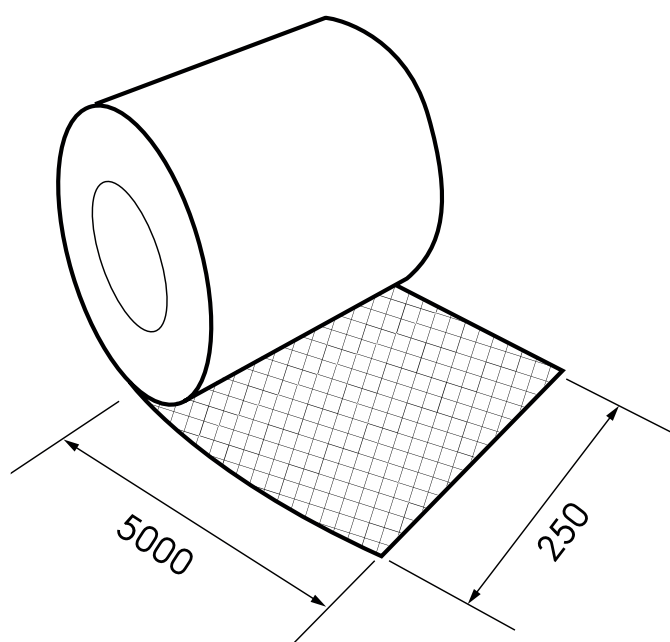
## Product introduction

Ubiflex Finio is a high-quality, non-lead flashing for reliable building waterproofing. Lightweight and flexible, it easily adapts to complex shapes for numerous roof and wall applications. Its patented double-safety adhesion combines integrated butyl strips with a full adhesive backside that vulcanises with the substrate for long-term performance. Ubiflex Finio can easily be formed by hand and as required be finished with a roller.

- Patented double-safety adhesion for long-term reliability
- Easy and quick installation with initial fixation that allows repositioning
- Adhesion to most common building materials
- Vulcanises with the substrate for durable performance
- KIWA-approved for a wide range of roof and wall applications, including cavity walls
- 25-year warranty

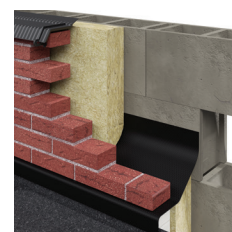
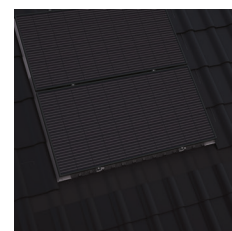
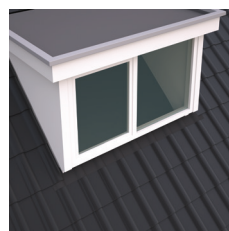
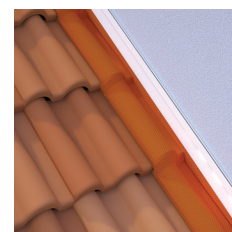
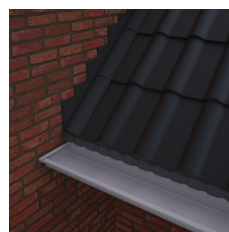


## Product dimensions



## Safety, Health & Environment

Ubiflex Finio is non-toxic, non-hazardous to human and environment.



# Ubiflex Finio 250mm x 5m Black

Article number: 535200

## Additional information

For a perfect self-welding effect, the overlap between two pieces of Ubiflex Finio must never be less than 50 mm. Ubiflex Finio does not react to aluminum, copper and zinc. However, if Ubiflex Finio is likely to come in contact with aggressive chemicals during work or maintenance, first test on a piece of material before proceeding. If in doubt contact your reseller.

## Technical specifications

| Specifications                |                                     |
|-------------------------------|-------------------------------------|
| Technical                     |                                     |
| Colour                        | Black                               |
| Material                      | Polyisobutylene (PIB)               |
| Performance                   |                                     |
| Temperature resistance (min.) | -30 °C                              |
| Temperature resistance (max.) | 140 °C                              |
| Reinforcement                 | <input checked="" type="checkbox"/> |
| Self adhesive                 | <input checked="" type="checkbox"/> |
| Stretch length                | 97 %                                |
| Stretch width                 | 20 %                                |
| Dimensions                    |                                     |
| Length gross                  | 5 m                                 |
| Length gross                  | 5000 mm                             |
| Width                         | 250 mm                              |
| Thickness                     | 1.9 mm                              |
| Net weight                    | 3.5 kg                              |

# Ubiflex Finio 250mm x 5m Black

Article number: 535200

## Technical details

### Watertightness

watertight EN 1928

### Bending characteristics (after 10 times folding)

|              | 23°C          | 50% |
|--------------|---------------|-----|
| longitudinal | ✓             | ✓   |
| transverse   | ✓             | ✓   |
|              | EN 495-5:2013 |     |

### Tensile strength

|              |                 |
|--------------|-----------------|
| longitudinal | 225 N           |
| transverse   | 675 N           |
|              | EN 12311-2:2013 |

### UV resistance

excellent EN 1297:2004

### Sensitivity to thermal aging and moisture

not sensitive EN ISO 16536:2019

### Resistance against corrosion

not sensitive EN ISO 6988

### Fire Rating

Class E EN 13501-1