

MultiVent Roof Terminal 125 830mm Black

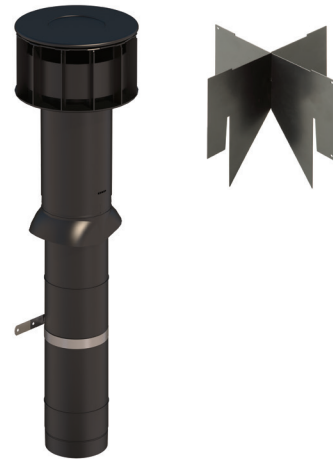
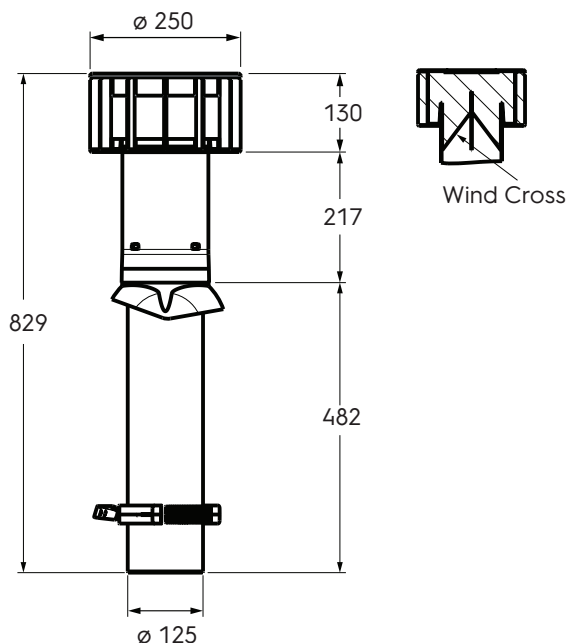
Article number: 189125

Product introduction

The MultiVent Roof Terminal 125 830mm is a high-efficiency roof terminal designed for optimal airflow in mechanical and natural ventilation systems. With its improved aerodynamic design, it suits heat-recovery units, domestic hot water heat pumps, dual-flow intake/exhaust, and tumble-dryer venting. It comes complete with a rain collar and wall bracket, and features a wind cross in the cap to reduce backdrafts and ensure consistent performance even in challenging weather conditions.

- Suitable for natural, hybrid, and mechanical ventilation
- Supports both air supply and exhaust
- Rain collar adds extra protection against water ingress
- Wall bracket ensures secure and stable installation
- Draught-enhancing cap for reliable airflow performance
- High-performance airflow

Product dimensions



MultiVent Roof Terminal 125 830mm Black

Article number: 189125

Technical specifications

Technical	
Colour	Black
Diameter	125 mm
Installation	
Roof angle (min.)	0 °
Roof angle (max.)	55 °
Dimensions	
Width	250 mm
Height	830 mm
Net weight	1.093 kg