

# Aerfoam 180 Bend 45°

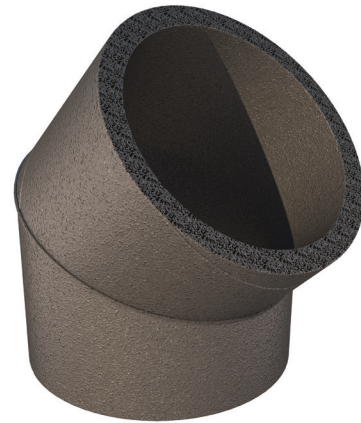
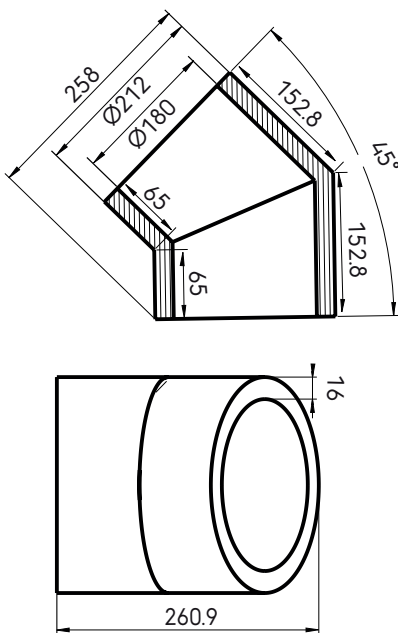
Article number: 188282

## Product overview

The Aerfoam 180 mm 45° bend allows directional changes within the Aerfoam system. Made of expanded polyethylene (EPE) duct, it minimises the risk of condensation and energy loss. It is very light and extremely easy and safe to install. All Aerfoam parts connect to each other using strong, airtight mechanical connections. They can also be securely mounted to walls or ceilings using brackets. Aerfoam is ideal for both central mechanical ventilation and domestic hot water heat pump systems.

- Insulated to minimise the risk of condensation and energy loss.
- Easy mechanical connection and mounting.
- Lightweight and easy to cut, ensuring quick installation.
- Impact resistant.

## Product dimensions



# Aerfoam 180 Bend 45°

Article number: 188282

## Technical specifications

| Technical                       |                                     |
|---------------------------------|-------------------------------------|
| Colour                          | Grey                                |
| Insulated                       | <input checked="" type="checkbox"/> |
| Diameter inner                  | 180 mm                              |
| Diameter outer                  | 212 mm                              |
| Insulation thickness            | 16 mm                               |
| Performance                     |                                     |
| Insulation performance          | 0.041 W/m.K                         |
| Temperature resistance (min.)   | -30 °C                              |
| Temperature resistance (max.)   | 60 °C                               |
| Installation temperature (min.) | -30 °C                              |
| Installation temperature (max.) | 60 °C                               |
| Zeta supply 1 connection        | 0.4                                 |
| Zeta extract 1 connection       | 0.4                                 |
| Dimensions                      |                                     |
| Length gross                    | 258 mm                              |
| Width                           | 212 mm                              |
| Height                          | 261 mm                              |
| Net weight                      | 0.06 kg                             |

# Aerfoam 180 Bend 45°

Article number: 188282

## Technical details

| DN180 45° Bend |         |         |
|----------------|---------|---------|
| Zeta [-]       | 0,40    |         |
| Qv [m³/h]      | Δp [Pa] | V [m/s] |
| 50             | 0,07    | 0,55    |
| 100            | 0,29    | 1,09    |
| 150            | 0,64    | 1,64    |
| 200            | 1,14    | 2,18    |
| 250            | 1,79    | 2,73    |
| 300            | 2,57    | 3,27    |
| 350            | 3,5     | 3,82    |
| 400            | 4,58    | 4,37    |
| 450            | 5,79    | 4,91    |
| 500            | 7,15    | 5,46    |
| 550            | 8,65    | 6       |
| 600            | 10,3    | 6,55    |
| 650            | 12,08   | 7,1     |
| 700            | 14,01   | 7,64    |