

Aerfoam 180-180-125 T-piece



ubbink

Build smart.

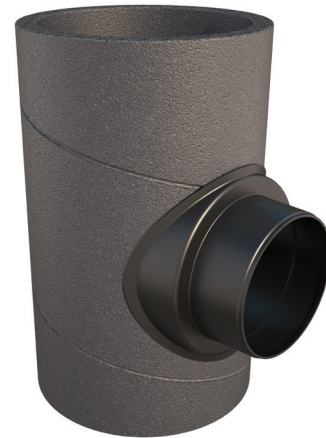
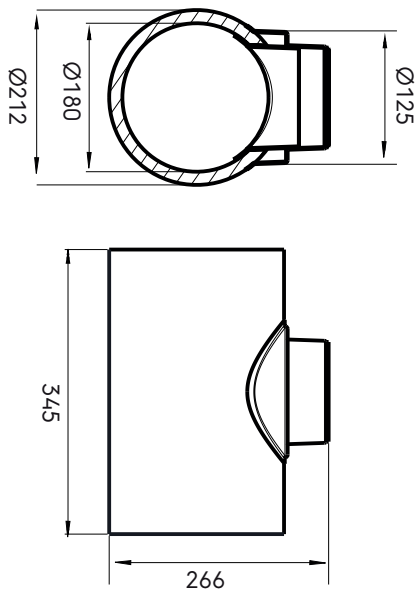
Article number: 188236

Product introduction

The Aerfoam 180-125 mm T-Piece allows branching in the Aerfoam system. Made of expanded polyethylene (EPE) duct, which minimises the risk of condensation and energy loss. It is very light and extremely easy and safe to install. All Aerfoam parts connect to each other using strong, airtight mechanical connections. They can also be securely mounted to walls or ceilings using brackets. Aerfoam is ideal for both central mechanical ventilation and domestic hot water heat pump systems.

- Insulated to minimise the risk of condensation and energy loss.
- Easy mechanical connection and mounting.
- Lightweight and easy to cut, ensuring quick installation.
- Impact resistant.

Product dimensions



Aerfoam 180-180-125 T-piece

Article number: 188236



Technical specifications

Technical	
Colour	Grey
Insulated	<input checked="" type="checkbox"/>
Diameter inner	180 mm
Insulation thickness	16 mm
Performance	
Zeta supply 1 connection	0.12
Dimensions	
Length gross	345 mm
Width	212 mm
Height	266 mm
Net weight	0.18 kg