

# Air Excellent AE48C - AE55SC Adaptor Kit

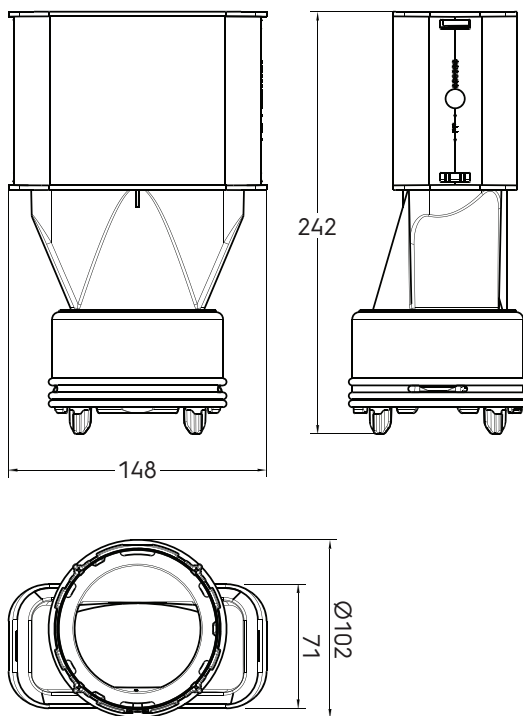
Article number: 189037

## Product overview

The AE48C - AE55SC Adaptor Kit seamlessly connects an AE55SC duct with an AE48C duct, ensuring a quick, secure and tool-free installation. Includes an AE48C Click-Seal Ring.

- Airtight connections for reliable system performance
- Low pressure loss to reduce fan energy use
- Quick, tool-free installation
- Lightweight design for easy handling
- TÜV SÜD-certified for quality and safety

## Product dimensions



## Technical specifications

Technical	
Colour	Green
Anti static	<input checked="" type="checkbox"/>
Antimicrobial	<input checked="" type="checkbox"/>
Performance	
Temperature resistance (min.)	-20 °C
Temperature resistance (max.)	60 °C

# Air Excellent AE48C - AE55SC Adaptor Kit

Article number: 189037

## Technical specifications (continuation)

Performance	
Reaction to fire: Euro class	E
Zeta supply 1 connection	0.5
Zeta extract 1 connection	0.5
Dimensions	
Length gross	242 mm
Width	148 mm
Height	102 mm
Net weight	0.146 kg