

Ubiflex Finio 400mm x 5m Red



ubbink

Build smart.

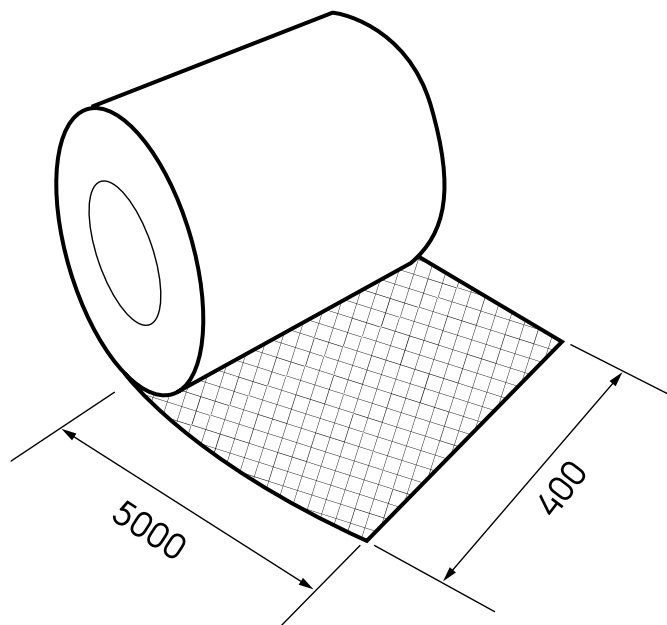
Article number: 535214

Product introduction

Ubiflex Finio is a high-quality, non-lead flashing for reliable building waterproofing. Lightweight and flexible, it easily adapts to complex shapes for numerous roof and wall applications. Its patented double-safety adhesion combines integrated butyl strips with a full adhesive backside that vulcanises with the substrate for long-term performance. Ubiflex Finio can easily be formed by hand and as required be finished with a roller.

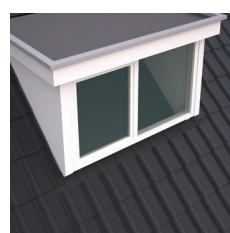
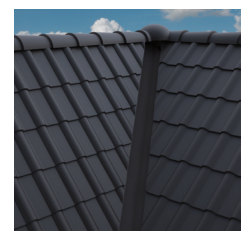
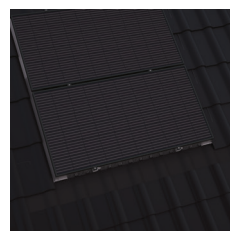
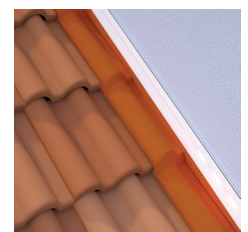
- Patented double-safety adhesion for long-term reliability
- Easy and quick installation with initial fixation that allows repositioning
- Adhesion to most common building materials
- Vulcanises with the substrate for durable performance
- KIWA-approved for a wide range of roof and wall applications, including cavity walls
- 25-year warranty

Product dimensions



Safety, Health & Environment

Ubiflex Finio is non-toxic, non-hazardous to human and environment.



Ubiflex Finio 400mm x 5m Red

Article number: 535214

Additional information

For a perfect self-welding effect, the overlap between two pieces of Ubiflex Finio must never be less than 50 mm. Ubiflex Finio does not react to aluminum, copper and zinc. However, if Ubiflex Finio is likely to come in contact with aggressive chemicals during work or maintenance, first test on a piece of material before proceeding. If in doubt contact your reseller.

Technical specifications

Specifications	
Technical	
Colour	Red
Material	Polyisobutylene (PIB)
Performance	
Temperature resistance (min.)	-30 °C
Temperature resistance (max.)	140 °C
Reinforcement	<input checked="" type="checkbox"/>
Self adhesive	<input checked="" type="checkbox"/>
Stretch length	97 %
Stretch width	20 %
Dimensions	
Length gross	5 m
Length gross	5000 mm
Width	400 mm
Thickness	1.9 mm
Net weight	5.6 kg

Ubiflex Finio 400mm x 5m Red

Article number: 535214

Technical details

Watertightness

watertight EN 1928

Bending characteristics (after 10 times folding)

	23°C	50%
longitudinal	✓	✓
transverse	✓	✓
	EN 495-5:2013	

Tensile strength

longitudinal	225 N
transverse	675 N
	EN 12311-2:2013

UV resistance

excellent EN 1297:2004

Sensitivity to thermal aging and moisture

not sensitive EN ISO 16536:2019

Resistance against corrosion

not sensitive EN ISO 6988

Fire Rating

Class E EN 13501-1